

# **PROJECT MANUAL**

## **SPRECKELS MEMORIAL PARK**

### **ADA UPGRADE TO RESTROOMS**

**60 Llano Ave. Spreckels, CA 93962**

Prepared by:

Derek Johnson, P.E.

***Central Coast Engineers, Inc.***

21 W. Alisal Street Suite 104

Salinas, CA 93901

(831) 757-5554

# TABLE OF CONTENTS

## SECTION 1. FIXTURE / EQUIPMENT/ FINISH SCHEDULE

- |   |                         |
|---|-------------------------|
| 1. ADA Compliant Water Closet: Metcraft               | Item # HET 4665-CF      |
| 2. Flushometer, Sloan Optima 8111-1.28 DFB-OR         | Code # 3790082          |
| 3. ADA Compliant Urinal: Metcraft                     | Item # 7625             |
| 4. Urinal Sloan Flushometer, # G2 8186-0.5            | Code # 3250424          |
| 5. ADA Compliant Lavatory: Metcraft                   | Item # 5683 HA          |
| 6. Faucet: Zurn Aqua -FIT Battery Powered Faucet      | Item # Z6950-XL-S       |
| 7. Mirror (High Security): Metcraft                   | Item # A752             |
| 8. Janitor Sink: Metcraft Mop Sink                    | Item # 6390-2           |
| 9. Janitor Sink Faucet: Zurn                          | Z842H1-XL               |
| 10. Water Fountain/Bottle Filling/Pet Station: Elkay  | Model # LK4420BF1UDBFRK |
| 11. ADA Compliant Hand Dryer: World Dryer SS VERDEdri | C.N. No. 142388         |
| 12. Tissue Dispenser: Metcraft                        | Item # A723-1           |
| 13. Grab Bars: Metcraft                               | Item # A551 36" Long    |
| 14. Grab Bars: Metcraft                               | Item # A552 42" Long    |
| 15. Seat Cover Dispenser: ULINE                       | Item # H-1592           |

16. Foaming Soap Dispenser: ULINE	Item #H-3415
17. Sanitary Napkin Receptacle: ULINE	Item # H-3454
18. Changing Table: KOALA KARE	Item # KB200-01SS
19. Outlet Locking Cover: LEGRAND	WP26L
20. Exhaust Fan (Ceiling): Panasonic	FV-15VQ5
21. Interior Light: Metalux	4ILED-LD4-5
22. Ceiling Sensor: Legrand	CI-355
23. Exit Sign w/ Emergency Lights: ULINE	H-6509 Red
24. Electric Tankless Water Heater: AO Smith	C2VA-120E
25. Exterior Light: Lithonia Lighting	WPX1 LED 40K MVOLT P2 PE DBLBXD
26. Partitions: ASI Global (Solid Plastic)	Folkstone Gray 9400
27. Floor & Wall Base, Armorseal Epoxy Floor Coating:	
Sherwin Williams Color - Classic French Gray	SW0077
28. Ceiling Interior Paint:	
Sherwin Williams Color-Eider White	SW7104
29. Interior / Exterior Wall Paint:	
Sherwin Williams Color-Light French Gray	SW0055
30. Exterior Trim Paint:	
Sherwin Williams Color-Classic French Gray	SW0077

## TOILET FIXTURE - 4660-CF & 4665-CF

Item: \_\_\_\_\_



Unit may be pictured with some optional features.

### 1.28 gpf (4.8 Lpf) Fixtures - 2-3/8" waste connection

- HET4660-CF Back supply connection 1 1/2" (38mm) FIPT.
- HET4665-CF Top supply connection 1 1/2" (38mm) MIPT.

- Front mounted fixture, wall outlet waste.
- Toilet Bowl-
  - Elongated.
  - High polished integral seat.
  - Self draining flushing rim.
  - Siphon Jet type trap.
  - Enclosed trap.
  - Hinged Seat



**WARNING:** Cancer and Reproductive Harm  
- www.P65Warnings.ca.gov.

### ► DESCRIPTION

This Toilet Fixture is designed for areas without an accessible pipe chase. The fixture is fabricated using heavy gauge type 304 stainless steel, seamlessly welded to form a vandal resistant unit. Internal piping is stainless steel. Exposed surfaces are polished to a satin finish, except for the integral seat which is polished to a bright finish. Fixture is provided with a hinged seat.

### ► PERFORMANCE STANDARDS

Metcraft's standard toilet is a "High Efficiency Toilet" (HET) 1.28 gpf (4.8 lpf) with a 2 3/8" (60mm) waste tube. Metcraft bowls and assemblies are designed to withstand 5000 lb. (22kN) loading without permanent deflection and damage. This fixture meets or exceeds ASME A112.19.3 / CSA B45.4 standards for "Stainless Steel Plumbing Fixtures". The trap will pass a 2 1/8" (54mm) dia. ball. A minimum 1" (25mm) supply providing 35psi (241kPa) flushing pressure is required.

### ► INSTALLATION

The fixtures are designed for use with a standard siphon jet carrier (supplied by other manufacturers). The fixtures are supplied with four 7/8" (22mm) dia. mounting holes to accept 5/8" (16mm) studs. Four tamper resistant cap nuts are supplied with the fixture. The installer must provide wall openings for piping per rough-in drawings provided by Metcraft.

Water Consumption:

With a HET consumption flush valve - 1.28 gpf (4.8 liters)

### ► RECOMMENDED FLUSH VALVES

	SLOAN	ZURN	DELANY
Concealed HET	611-1.28	Z6611-1.28	-
Exposed HET	111-1.28	Z6606-1.28	-

Listed by



### TOILET WASTE

- GW** Gasket waste outlet (Standard).

### PRODUCT OPTIONS

- MS** High Polished Seat.
- HS** Hinged Seat (Standard).
- HO** Punched for hinged seat (By Others).
- PCC** Powder Coat - Anti-microbial White.
- BL** Bed Pan Lugs.

### OPTIONAL ACCESSORIES

- A247** Flush valve thru wall connector.  
Wall Thickness: \_\_\_\_\_
- A611** Flush Valve access Panel. (Available on 4660).
- A615** Flush Valve Cover. (Available on 4665).
- TSC** Toilet Shipping Cover

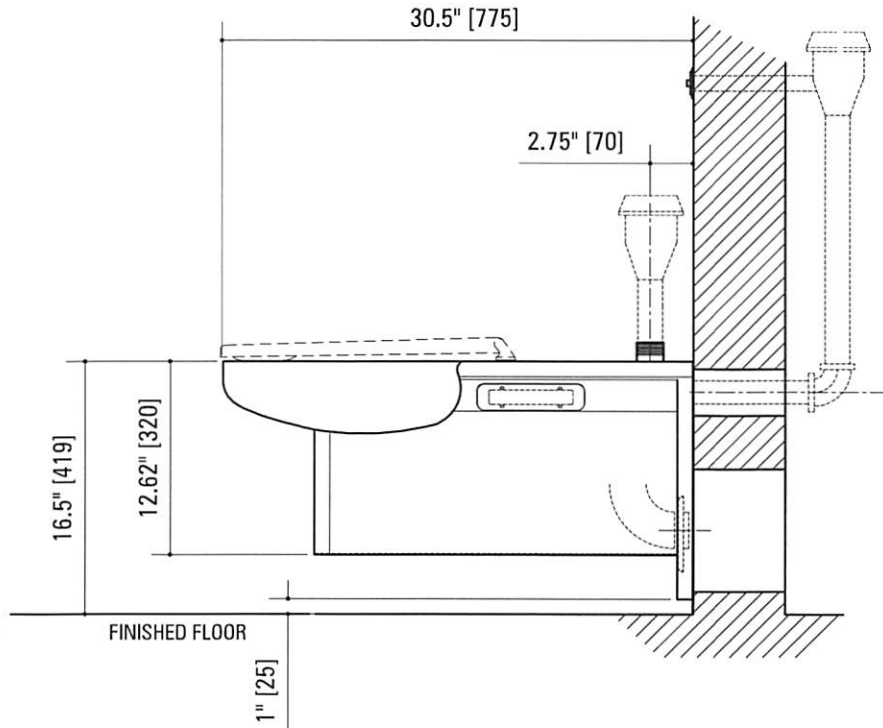
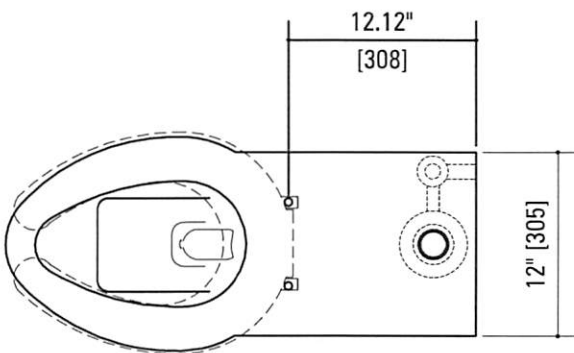


## TOILET FIXTURE - 4660-CF & 4665-CF

Item: \_\_\_\_\_

### NOTES:

1. Optional -FV Flush Valve  
- Wall Supply Connection. (Concealed)
2. Optional -FV Flush Valve  
- Top Supply Connection. (Exposed)



Due to continuous product improvement Metcraft reserves the right to make changes in design and specifications without prior notice. All dimensions should be verified with the factory for current information.

<b>APPROVED FOR MANUFACTURING</b>	Company: _____	Name: _____
	Signature: _____	Date: _____

**CODE NUMBER**

3790082

**DESCRIPTION**

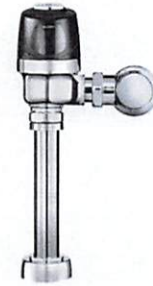
1.28 gpf, Dual-Filtered Fixed Bypass Diaphragm, Polished Chrome Finish, Single Flush, Electrical Override, Battery, Lithium Batteries, Sloan® Exposed Sensor Water Closet Flushometer.

**DETAILS**

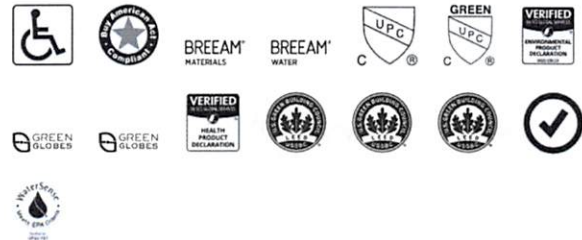
- Flush Volume: 1.28 gpf (4.8 Lpf)
- Finish: Polished Chrome (CP)
- Power Type: Battery
- Battery Life: 8 years
- Valve: Diaphragm
- Bypass: Dual-Filtered Fixed Bypass Diaphragm (DFB)
- Valve Body Material: Semi-red Brass
- Fixture Type: Water Closet
- Fixture Connection: Top Spud
- Rough-In Dimension: 11 ½" (292mm)
- Spud Coupling: 1 ½" (38mm)
- Supply Pipe: 1" (25mm)
- Override: Electrical (OR)
- Special Features: Lithium Batteries

**FEATURES**

- 1" I.P.S. Screwdriver Bak-Chek® Angle Stop with Vandal Resistant Stop Cap
- Vacuum Breaker with Flush Connection
- Spud Coupling and Spud Flange for 1½" Top Spud
- Sweat Solder Adapter with Cover Tube and Cast Wall Flange
- User friendly three (3) second Flush Delay
- Flex Tube Diaphragm designed for improved life and reduced maintenance
- No External Volume Adjustment to Ensure Water Conservation
- Stop Seat and Vacuum Breaker Molded from PERMEX® Rubber Compound for Chloramine resistance
- Infrared Sensor with Multiple-focused, Lobular Sensing Fields for high and low target detection
- Engineered Plastic Cover with replaceable Lens Window
- Courtesy Flush® Override Button
- Four (4) Size AA Lithium Batteries factory installed



**COMPLIANCES & CERTIFICATIONS**



(ADA Compliant, BAA Compliant, BREEAM Materials Credit, BREEAM Water Credit, cUPC Certified, cUPC Green Certified, EPD, Green Globes Materials & Resources Credit, Green Globes Water Credit, HPD, LEED Materials & Resources EPD Credit, LEED Materials & Resources HPD Credit, LEED V4 Water Efficiency Credit, Satisfies LEED Credits, WaterSense Listed)

**RECOMMENDED SPECIFICATION**

Valve Body, Cover, Tailpiece and Control Stop shall be in conformance with ASTM Alloy Classification for Semi- Red Brass. Valve shall be in compliance with the applicable sections of ASSE 1037 and ANSI/ASME 112.19.2.

**ELECTRICAL SPECIFICATIONS**

- Battery Life: 8 years

**VALVE OPERATING PRESSURE (FLOWING)**

15–80 PSI (103–552 kPa). Specific fixtures may require greater minimum flowing pressure - consult manufacturer requirements.

**DOWNLOADS**

- [G2 Optima Plus Installation Instructions](#)
- [Control Stop Repair and Maintenance Guide](#)
- [Flush Connections Flanges Repair and Maintenance Guide](#)
- [Tail Piece Repair and Maintenance Guide](#)
- [Sloan Optima Plus Repair and Maintenance Guide](#)
- [Flushometer Pressure gauges](#)
- [Additional Downloads](#)

**NOTES**

All information contained within this document subject to

Sloan 10500 Seymour Ave, Franklin Park, IL 60131  
Phone: 800.982.5839 • Fax: 800.447.8329 • [sloan.com](http://sloan.com)

change without notice.

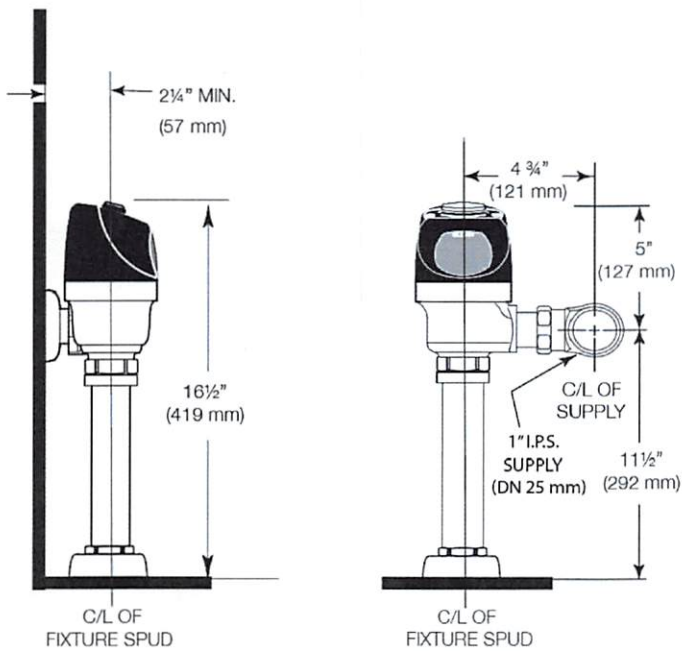
Looking for other variations of the SLOAN 8111 product? [View the general spec sheet with all options.](#)

[Find a compatible urinal](#) for this flushometer.

[Find a compatible water closet](#) for this flushometer.

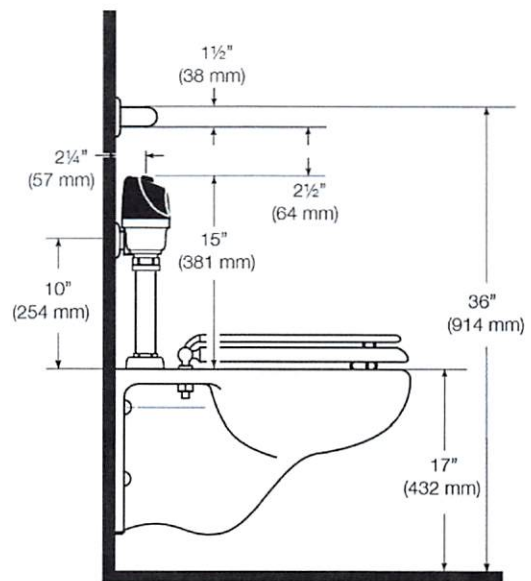
WaterSense compliant when used with a WaterSense compliant fixture

**ROUGH-IN**



**ALTERNATE ADA INSTALLATION**

Lower water supply rough-in to 10" (254 mm) and mount grab bar at the 36" (914 mm) maximum allowed height (top of grab bar at 36").

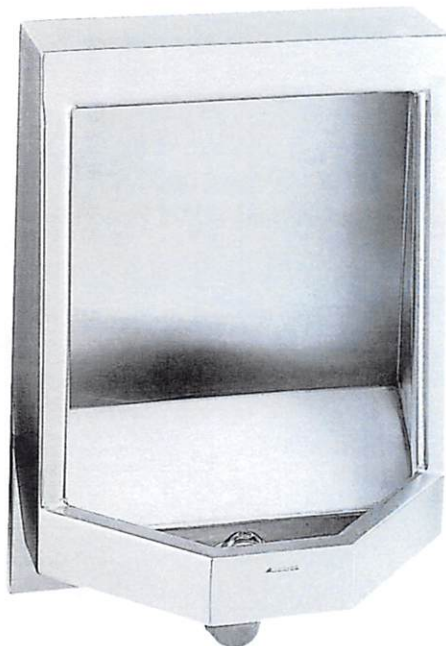


**WHEN INSTALLING IN A HANDICAP STALL:**

Per the ADA Guidelines (section 604.9.4) it is recommended that the grab bars be split or shifted to the wide side of the stall. If grab bars must be present over the valve, use the alternate ADA installation as shown to the right.

**URINAL FIXTURE - 7620 & 7625**

Item: \_\_\_\_\_



Unit may be pictured with some optional features.

- 7620** Back supply connection 3/4" (19mm) MIPT.
- 7625** Top supply connection 3/4" (19mm) MIPT.

**STANDARD FEATURES**

- **Front mounted fixture, Wall outlet waste, Washdown urinal**
- High volume beehive style strainer.
- 2" (51mm) FIPT integral stainless steel fully enclosed P-trap.



**WARNING:** Cancer and Reproductive Harm  
- [www.P65Warnings.ca.gov](http://www.P65Warnings.ca.gov).

**► DESCRIPTION**

This Urinal Fixture is designed for areas without an accessible pipe chase. The fixtures are fabricated using heavy gauge type 304 stainless steel, welded to form a vandal resistant unit. Flushing provides a sanitary washdown of the interior. Exposed surfaces have a satin finish. Fixtures come with a beehive type strainer and P-trap. Integral trap is fully enclosed.

**► PERFORMANCE STANDARDS**

This fixture meets or exceeds ASME A112.19.3 / CSA B45.4 standards for "Stainless Steel Plumbing Fixtures".

**► INSTALLATION**

Fixture is designed for installation in areas where an accessible pipe chase is not available. A concealed wall hanger bracket will support the fixture at the top and a spud flange with two S/S tamper resistant bolts support the fixture at the waste.

Water Consumption:

With HEU consumption flush valve - .5 gpf (1.9 liters)

**RECOMMENDED FLUSH VALVES**

	SLOAN	ZURN	DELANY
Concealed	613	Z6613	F576
Exposed	186	Z6614	F575

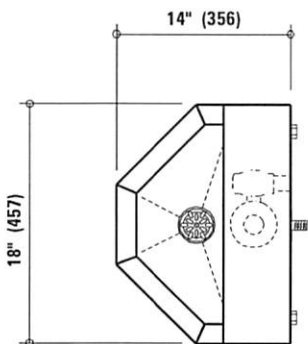


### OPTIONS/ACCESSORIES

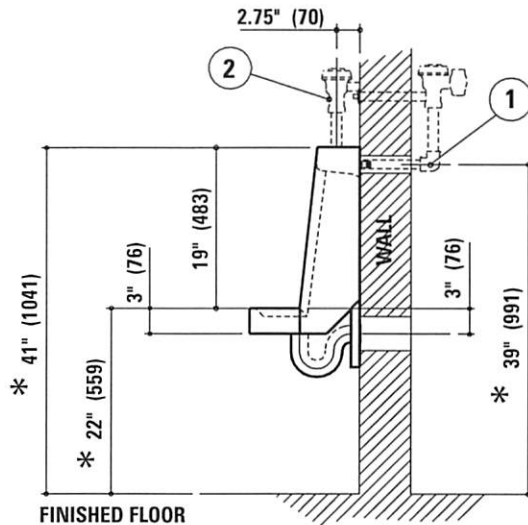
- PCC** Powder Coat - Anti-microbial White.
- A245** Flush valve thru wall connector  $\frac{3}{4}$ " MIPT.  
Wall Thickness: \_\_\_\_\_
- A610** Flush Valve Access Panel. Not available on 7625.
- A615** Flush Valve Cover. Not available on 7620.
- ADA** ADA Mounting height - 17" Rim Height.  
\* Dimensions lowered 5" for ADA

## URINAL FIXTURE - 7620 & 7625

Item: \_\_\_\_\_



Notes:  
 1 - Back Supply (7620)  
 2 - Top Supply (7625)  
 \* See ADA Option



Due to continuous product improvement Metcraft reserves the right to make changes in design and specifications without prior notice. All dimensions should be verified with the factory for current information.

<b>APPROVED FOR MANUFACTURING</b>	Company: _____	Name: _____
	Signature: _____	Date: _____

**CODE NUMBER**

3250424

**DESCRIPTION**

0.5 gpf, Polished Chrome Finish, Single Flush, Battery, G2 Exposed Sensor Urinal Flushometer.

**DETAILS**

- Flush Volume: 0.5 gpf (1.9 Lpf)
- Finish: Polished Chrome (CP)
- Power Type: Battery
- Battery Life: 6 years
- Valve: Diaphragm
- Valve Body Material: Semi-red Brass
- Fixture Type: Urinal
- Fixture Connection: Top Spud
- Rough-In Dimension: 11 ½" (292mm)
- Spud Coupling: ¾" (19mm)
- Supply Pipe: ¾" (19mm)

**FEATURES**

- Sweat Solder Adapter with Cover Tube and Cast Set Screw Wall Flange
- "Low Battery" Flashing LED
- Flex Tube Diaphragm designed for improved life and reduced maintenance
- Engineered Metal Cover with replaceable Lens Window
- Four (4) Size AA alkaline Batteries included
- Fixed Metering Bypass and No External Volume Adjustment to Ensure Water Conservation
- Handle Packing, Main Seat, Stop Seat and Vacuum Breaker Molded from PERMEX® Rubber Compound for Chloramine resistance
- Courtesy Flush® Override Button
- ¾" I.P.S. Screwdriver Bak-Chek® Angle Stop with Vandal Resistant Stop Cap
- Infrared Sensor with Multiple-focused, Lobular Sensing Fields for high and low target detection
- PERMEX® Synthetic Rubber Diaphragm with Dual Filtered Fixed Bypass

**VIDEOS**

- ▶ PVD Special Finishes



**COMPLIANCES & CERTIFICATIONS**



(ADA Compliant, BAA Compliant, BREEAM Materials Credit, BREEAM Water Credit, Carbon Neutral, cUPC Certified, cUPC Green Certified, EPD, Green Globes Materials & Resources Credit, Green Globes Water Credit, HPD, LEED Materials & Resources EPD Credit, LEED Materials & Resources HPD Credit, LEED V4 Water Efficiency Credit, Satisfies LEED Credits, WaterSense Listed)

**RECOMMENDED SPECIFICATION**

Valve Body, Cover, Tailpiece and Control Stop shall be in conformance with ASTM Alloy Classification for Semi- Red Brass. Valve shall be in compliance with the applicable sections of ASSE 1037 and ANSI/ASME 112.19.2.

**ELECTRICAL SPECIFICATIONS**

- Battery Life: 6 years

**VALVE OPERATING PRESSURE (FLOWING)**

15–80 PSI (103–552 kPa). Specific fixtures may require greater minimum flowing pressure - consult manufacturer requirements.

**DOWNLOADS**

- [Optima Plus Valve Installation Instructions](#)
- [G2 Repair and Maintenance Guide](#)
- [Control Stop Repair and Maintenance Guide](#)
- [Flush Connections Flanges Repair and Maintenance Guide](#)
- [Tail Piece Repair and Maintenance Guide](#)
- [Sloan Optima Plus Repair and Maintenance Guide](#)
- [Flushometer Pressure gauges](#)
- [Additional Downloads](#)

**NOTES**

All information contained within this document subject to change without notice.

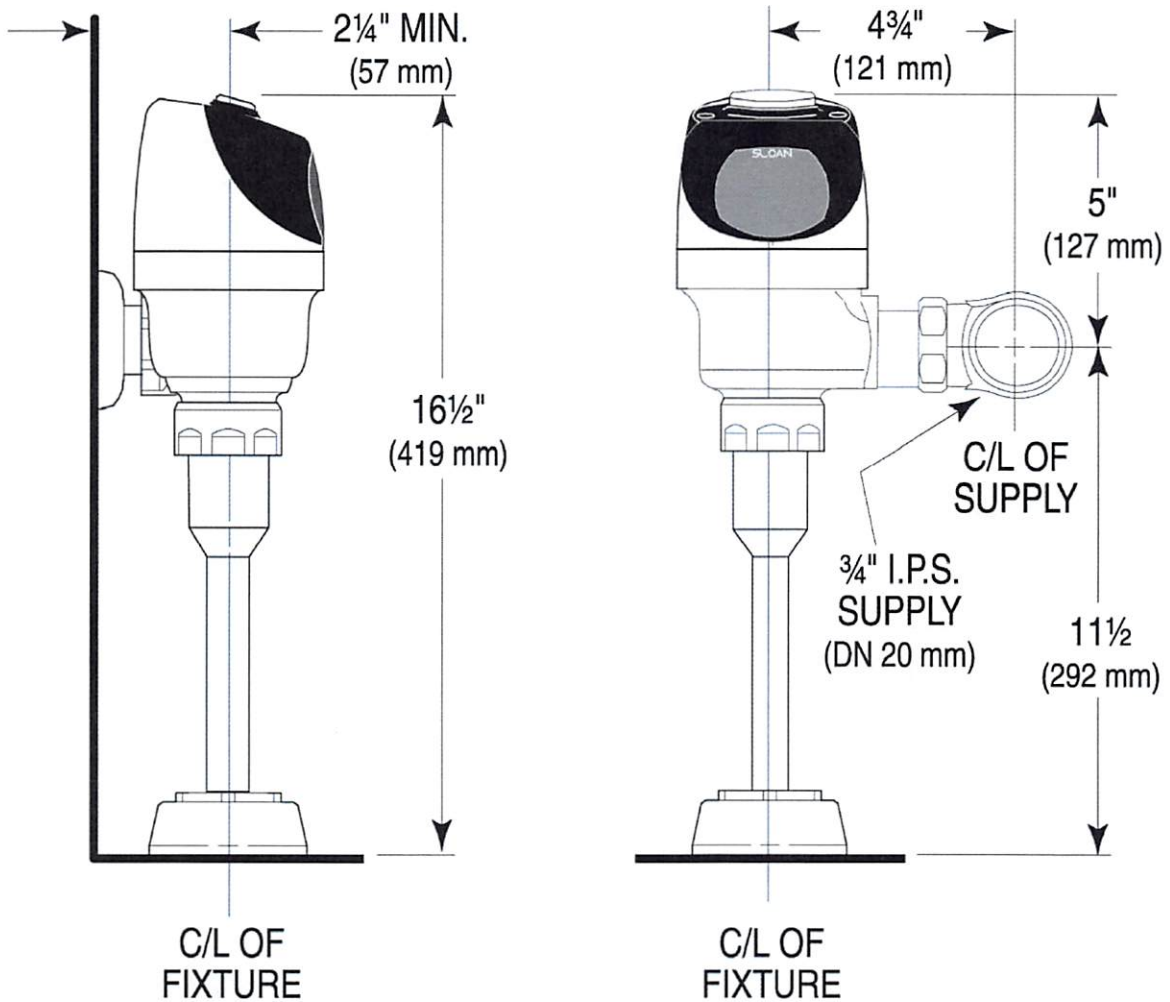
Looking for other variations of the G2 8186 product? [View the general spec sheet with all options.](#)

[Find a compatible urinal](#) for this flushometer.

[Find a compatible water closet](#) for this flushometer.

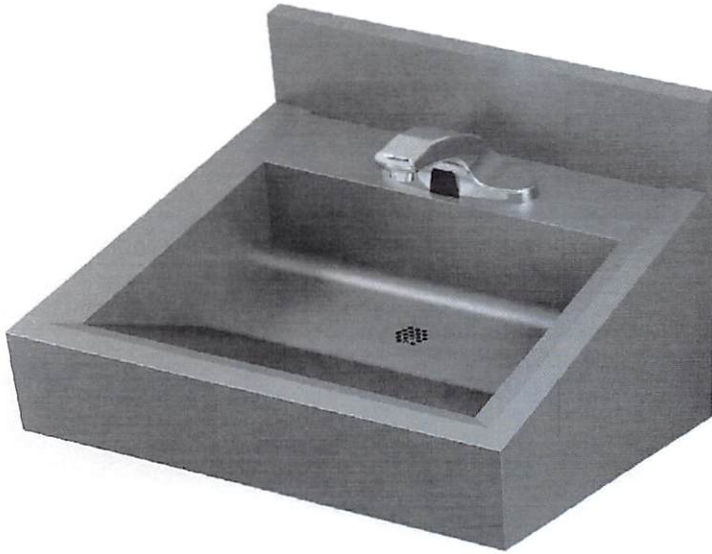
WaterSense compliant when used with a WaterSense compliant fixture

**ROUGH-IN**



**LAVATORY FIXTURE - 5683 HA**

Item: \_\_\_\_\_

 **5683 HA** High Abuse Lavatory**STANDARD FEATURES**

- **Wall mounted fixture, wall outlet waste.**
- **Lavatory basin-**
  - Rectangular lavatory basin.
  - 1<sup>5</sup>/<sub>8</sub>" (41mm) dia. die formed drain opening.
  - 4" (102mm) high back splash.
- Deck punched for faucets as required.

Unit may be pictured with some optional features.

**WARNING:** Cancer and Reproductive Harm  
- [www.P65Warnings.ca.gov](http://www.P65Warnings.ca.gov).**► DESCRIPTION**

This Lavatory is designed for public areas requiring a durable and vandal resistant fixture. The lavatory is fabricated using heavy gauge type 304 stainless steel seamlessly welded to form a one piece, vandal resistant unit. The lavatory is designed with a 4" (102mm) high backsplash. Exposed surfaces have a satin finish. Valves and other trim must be specified separately.

**► INSTALLATION**

The lavatory is designed for installation on a finished wall using a hanger bracket and bolt holes on back of the fixture. Wall anchors and anchor bolts are not furnished. Piping must be roughed out of wall for connection to lavatory waste and lavatory valve supplies.

**► PERFORMANCE STANDARDS**

This fixture meets or exceeds ASME A112.19.3 / CSA B45.4 standards for "Stainless Steel Plumbing Fixtures".

Listed by



### Hole Punchings

- Single Hole** On Center.
- 4" Centerset** Two Holes.
- 4" Centerset** Three Holes. (Standard)
- 8" Centerset** Two Holes.

### Hand Basins

- RB** Rectangular Basin. (Standard)

### Drains

- ND** No Drain. (Die Formed Drain Opening 1-1/4")
- A261** Grid Drain with elbow.
- A270** Grid drain with Tailpiece.
- SJP** Slip Joint P-trap.

### Options/Accessories

- OF** Overflow Vent.
- A775** Angle braces. (Standard)
- A780** Waste enclosures.
- PCC** Powder Coat - Anti-microbial White.
- A168** Metal Template.

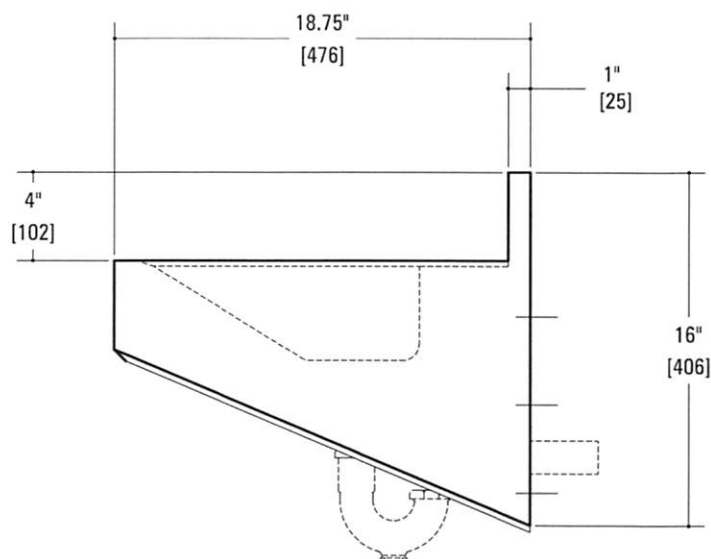
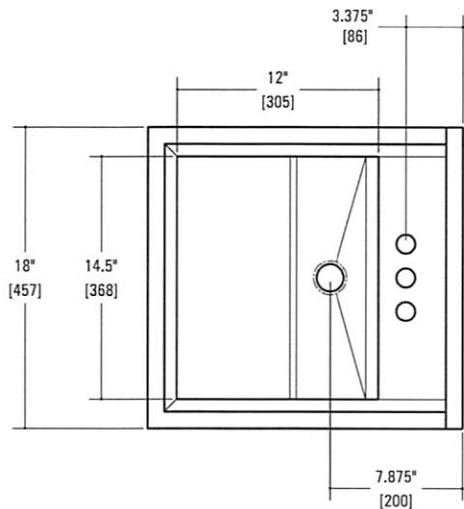
### Deck Mounted Faucets

- A306** Faucet with Gooseneck.
- A307** Faucet blade style handles.

Note: To mount lavatory in accordance with "ADA" requirements the rim height must be mounted at 34" (864mm) above finished floor.

## LAVATORY FIXTURE - 5683 HA

Item: \_\_\_\_\_



Due to continuous product improvement Metcraft reserves the right to make changes in design and specifications without prior notice. All dimensions should be verified with the factory for current information.

<b>APPROVED FOR MANUFACTURING</b>	Company: _____	Name: _____
	Signature: _____	Date: _____



# Z6950-XL-S

Aqua-FIT® Battery Powered Faucet

TAG \_\_\_\_\_

### Architectural/Engineering Specification:

Zurn AquaSense® faucets are ideal for high-use applications where durability and hands-free operation are necessary. ADA compliant, battery powered, polished chrome-plated cast brass sensor faucet with infrared proximity sensor for retrofit and new construction.

Zurn Lead Free products (-XL) is the line of durable, high quality brass faucets and fixtures that are designed and manufactured to comply with Section 1417 of the Safe Drinking Water Act (SDWA) which mandates the weighted average lead content of no more than 0.25% of the wetted surface.

### Product Features:

- Line Purge
- Metering Mode
- Infrared convergence-type proximity sensor
- 30 second time out feature
- Standard Chrome-plated Cast Brass Body
- Three Alternate Finishes
- In-line filter
- 4 "AA" batteries
- Inlet for a 1/2" ball riser

### Suffix Options:

- 5S Five Second Time out Feature
- 10S Ten Second Time out Feature
- 15S Fifteen Second Time out Feature
- 60S Sixty Second Time out Feature
- ADM Above Deck Mixer
- CP4 Cover Plate 4"[102] Centers
- CP8 Cover Plate 8"[203] Centers
- H4 Wrist Blade handle for ADM
- LP12 Line Purge 2min/12 hr
- LP24 Line Purge 2min/24 hr
- LP48 Line Purge 2min/48 hr
- MV Temperature Mixing Valve
- SH Supply Hoses for Mixing Valve
- TMV-1 Thermostatic Mixing Valve for Single Faucets

### Finish Options:

- BN Brushed Nickel
- PN Polished Nickel
- PB Polished Brass

### Compliance and Certification:

- Low-Lead Compliant
- ADA Compliant



ZURN INDUSTRIES, LLC 511 W. Freshwater Way, Milwaukee, WI U.S.A. 53204 · Ph. 1-855-ONE-ZURN, Fax 919-775-3541

In Canada: ZURN INDUSTRIES LIMITED 7900 Goreway Drive, Unit 10, Brampton, Ontario L6T 5W6, Ph. 905-405-8272, Fax 905-405-1292

Rev. A Date: 10/29/19

C.N. No. SAN008590

Prod. | Dwg. No. SS Z6950-XL-S



### Aerator Options:

	Flowrate GPM [LpM]	Vandal Resistant	*WaterSense Labeled	Outlet Type
<input type="checkbox"/> -E	1.5[5.7]	✓	✓	Aerator
<input type="checkbox"/> -F	0.5[1.9]	✓		Spray
<input type="checkbox"/> -J	1.5[5.7]	✓	✓	Laminar
<input type="checkbox"/> -K	1.0[3.8]	✓	✓	Laminar
<input type="checkbox"/> -L	1.0[3.8]	✓	✓	Aerator
<input type="checkbox"/> -M	0.35[1.3]	✓		Spray
<input type="checkbox"/> -N	0.5[1.9]	✓		Laminar

### Power Supply Choices (Sold Separately):

- ACA 6 VDC Plug-In Power Converter
- HW6 Hardwired Power Converter
- LL "10 Year Battery" - Long Life

### Optional Power Supply Accessories:

- CWB Connector Wire for Plug-In Power Converter
- MJ Mini Junction Box

**NOTE: For Hardwire applications furnish P6000-HW6 power converter. Order P6000-HW6 power converter separately.**

**The P6000-HW6 and P6000-MJ will power up to 8 sensor faucets.**

Architectural/Engineering Approval

The information contained in this document is subject to change without notice. Please contact Zurn for most up to date information.

\*This device is WaterSense labeled when used with the appropriate flow rate and certified for residential and private restrooms.



US 1.855.ONE.ZURN CANADA 1.905.405.8272 ZURN.COM



# Z6950-XL-S

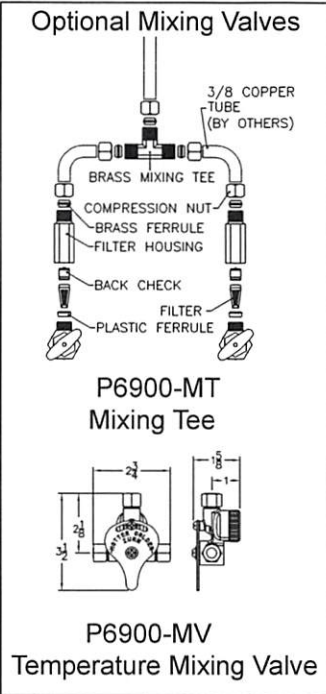
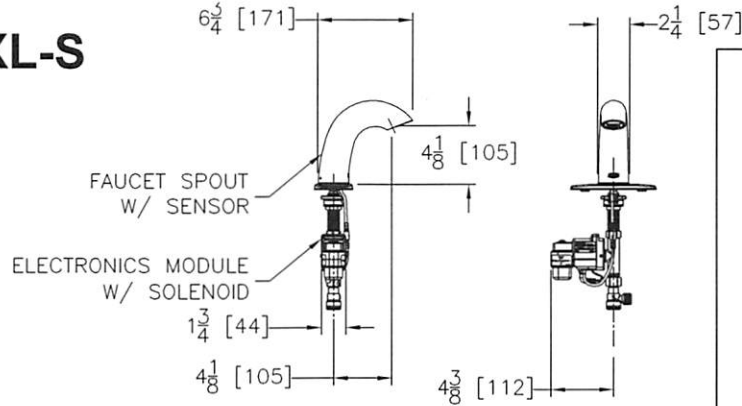
Aqua-FIT® Battery Powered Faucet

TAG \_\_\_\_\_

## TYPICAL Z6950-XL-S

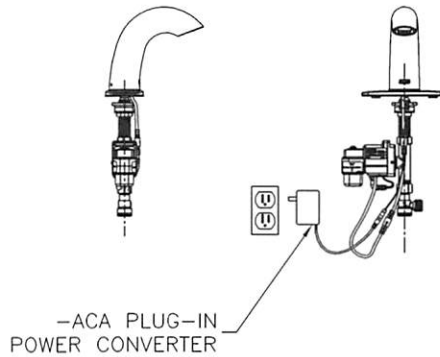
**AquaSense Battery Powered Faucet**

NOTE: Recommended through hole diameter to properly mount the spout/shank is 1-1/8" to 1-1/4".



## TYPICAL Z6950-XL-S-ACA

**AquaSense Plug-In Powered Faucet**

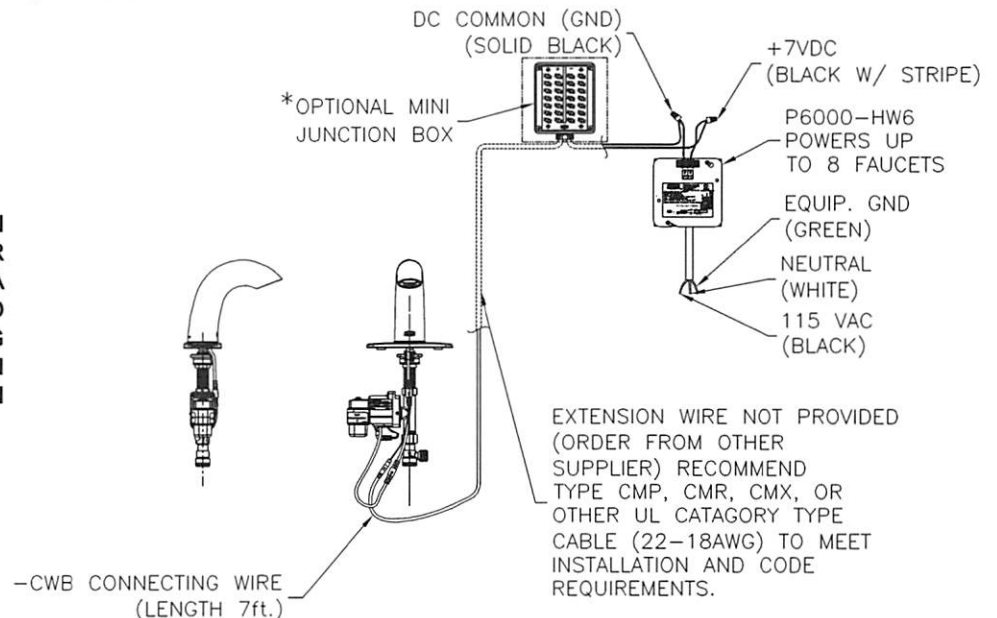


## TYPICAL Z6950-XL-S-CWB

**AquaSense Hardwire Powered Faucet**

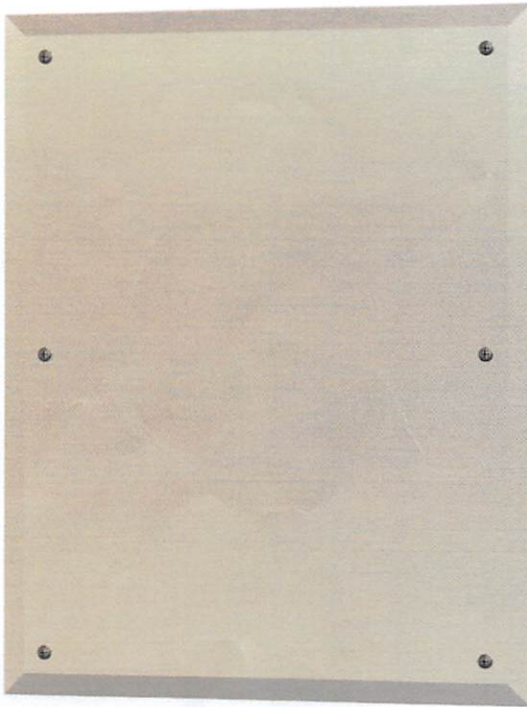
Optional:  
\* Optional -MJ mini junction box for connecting up to 8 faucets

NOTE: MUST USE EITHER ZURN P6000-HW6 HARDWIRE POWER CONVERTER OR ZURN P6000-ACA PLUG-IN POWER CONVERTER TO ENSURE PROPER OPERATION. USING A POWER CONVERTER OTHER THAN ZURN MAY RESULT IN OPERATION MALFUNCTION OR UNIT FAILURE.



## HIGH SECURITY MIRROR - A752

Item: \_\_\_\_\_



A752 Mirror

- **Front mounted mirror**
  - 12-1/2" (318mm) x 16" (406mm).
- **Hardware-**
  - Stainless Steel Vandal Resistant Screws.

Unit may be pictured with some optional features.



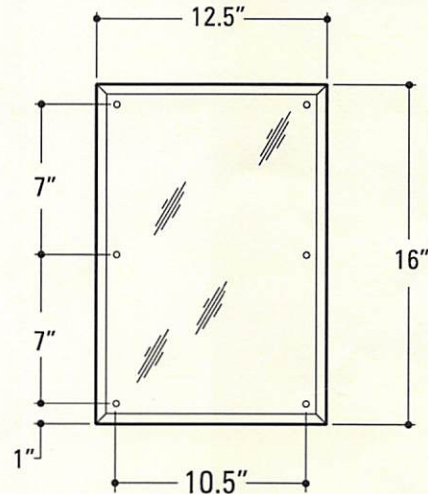
**WARNING:** Cancer and Reproductive Harm  
- www.P65Warnings.ca.gov.

### ► DESCRIPTION

The A752 front mounted mirror is designed for installation in parks, roadside rest facilities, penal and mental institutions. Mirror is fabricated using heavy gauge type 304 stainless steel with a #8 polished mirror finish. Edges are beveled for a tight fit to the wall.

### ► INSTALLATION

Supplied with (6) 1/4"-20 x 1" (25mm) long stainless steel vandal resistant screws. The mirror is 12-1/2" (318mm) x 16" (406mm).



Due to continuous product improvement Metcraft reserves the right to make changes in design and specifications without prior notice. All dimensions should be verified with the factory for current information.

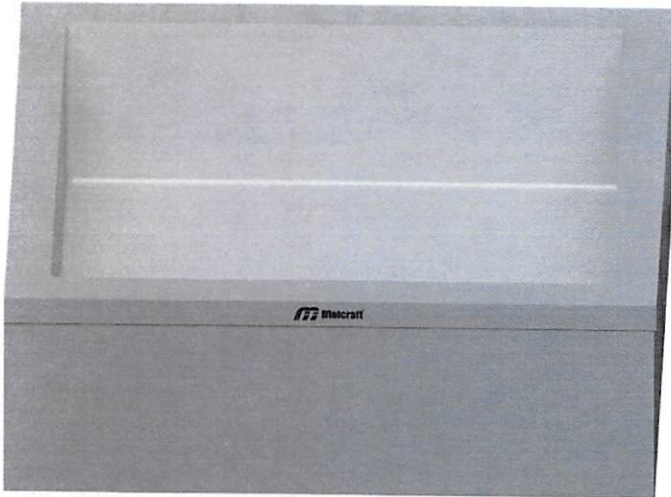
**APPROVED FOR  
MANUFACTURING**

Company: \_\_\_\_\_ Name: \_\_\_\_\_  
Signature: \_\_\_\_\_ Date: \_\_\_\_\_



**MOP SINK - 6390**

Item: \_\_\_\_\_



Unit may be pictured with some optional features.

- |                          |                    |                    |
|--------------------------|--------------------|--------------------|
| <input type="checkbox"/> | <b>6390-1</b>      | Standard Mop Sink. |
| <input type="checkbox"/> | <b>6390-2</b>      | Standard Mop Sink. |
| <input type="checkbox"/> | <b>6390-3</b>      | Standard Mop Sink. |
| <input type="checkbox"/> | <b>6390-4</b>      | Standard Mop Sink. |
| <input type="checkbox"/> | <b>6390-5</b>      | Standard Mop Sink. |
| <input type="checkbox"/> | <b>6390-6</b>      | Standard Mop Sink. |
| <input type="checkbox"/> | <b>6390-Custom</b> | Standard Mop Sink. |

**STANDARD FEATURES**

- Fabricated using 14 gauge type 304 stainless steel.
- Aprons provided on three sides.
- 2" brass caulk drain w/ removable grid strainer.
- 3/4" radius interior corners for easy cleanability.



**WARNING:** Cancer and Reproductive Harm  
- [www.P65Warnings.ca.gov](http://www.P65Warnings.ca.gov).

**► DESCRIPTION**

The 6390 Mop Sink is an all stainless steel mop sink designed for use in commercial applications. This unit provides a very durable and sanitary fixture. The fixture is constructed of 14 gauge type 304 stainless steel. The unit is seamlessly welded to form a one-piece unit. The sinks incorporate 3/4" radius corners for easy cleaning. Aprons are provided on three (3) sides. A 2" brass caulk drain with removable stainless steel grid strainer is provided with the unit.

**TF Tile Flange**

- 
- No Flange (Standard)
- 
- Left Side
- 
- Right Side
- 
- Back Side

**WS Stainless Steel Wall Shield - 12" High**

- 
- No Panel (Standard)
- 
- Left Side
- 
- Right Side
- 
- Back Side

(Wall Shields are sent loose less holes, unless specified.)

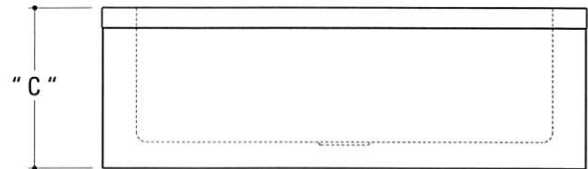
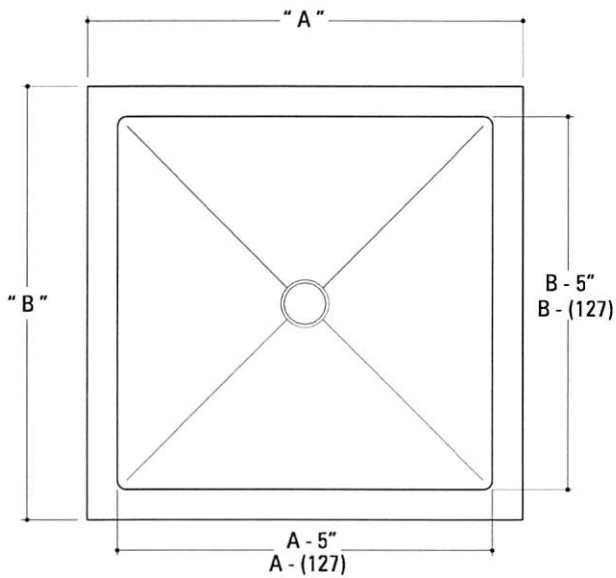
**Accessories**

- 
- A744**
- 1-Station Stainless Steel Mop Holder.
- 
- 
- A745**
- 3-Station Stainless Steel Mop Holder.
- 
- 
- A746**
- Hose and Holder Assembly
- 
- 
- CD2**
- 2" Caulk Drain (Standard)
- 
- 
- CD3**
- 3" Caulk Drain

	" A "	" B "	" C "
<input type="checkbox"/> <b>6390-1</b>	24" (610mm)	24" (610mm)	6" (152mm)
<input type="checkbox"/> <b>6390-2</b>	24" (610mm)	24" (610mm)	12" (305mm)
<input type="checkbox"/> <b>6390-3</b>	32" (813mm)	32" (813mm)	6" (152mm)
<input type="checkbox"/> <b>6390-4</b>	32" (813mm)	32" (813mm)	12" (305mm)
<input type="checkbox"/> <b>6390-5</b>	36" (914mm)	36" (914mm)	6" (152mm)
<input type="checkbox"/> <b>6390-6</b>	36" (914mm)	36" (914mm)	12" (305mm)
<input type="checkbox"/> <b>6390-Custom</b>			

## MOP SINK - 6390

Item: \_\_\_\_\_



Due to continuous product improvement Metcraft reserves the right to make changes in design and specifications without prior notice. All dimensions should be verified with the factory for current information.

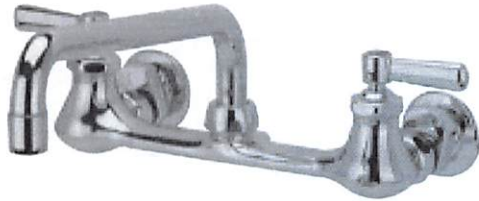
<b>APPROVED FOR MANUFACTURING</b>	Company: _____	Name: _____
	Signature: _____	Date: _____



# SINK FAUCET Z842H1-XL



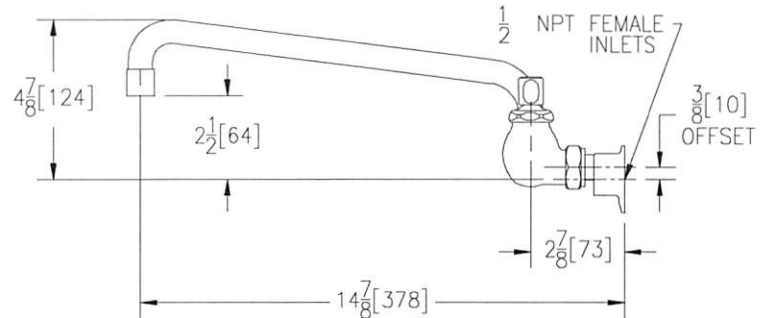
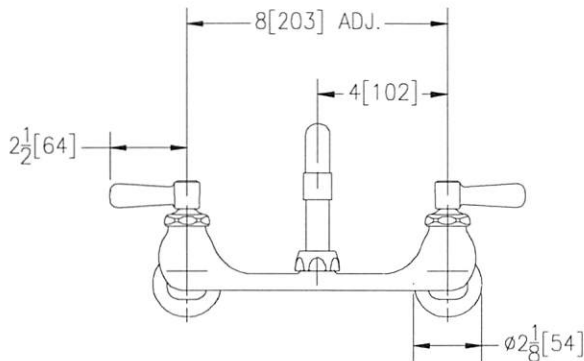
TAG \_\_\_\_\_



### Engineering Specifications: Zurn AquaSpec® Z842H1-XL

Polished chrome-plated cast brass 8" [203mm] sink faucet with quarter turn ceramic disc cartridges, 3/8" [10mm] short swivel inlets providing adjustable centers from 7-1/4" [184mm] to 8-3/4" [222mm] and a 12" [305mm] tubular brass swing spout with a 2.2 GPM [8.3 L] pressure compensating aerator (complying with ANSI A112.18.1 Standard for flow). Unit is furnished with 2-1/2" [64mm] vandal-resistant color-coded metal lever handles.

Zurn Lead Compliant\* "XL" products are a line of durable, high quality brass faucets and fixtures that are designed and manufactured to comply with state laws and local codes that mandate lead content levels. Zurn "XL" products are manufactured with \*not more than 0.25% lead content when used with respect to wetted surfaces of pipes and pipe fittings, plumbing fitting and fixtures: California Health & Safety Code § 116875; Vermont 9 VCA § 2470h.



Note: All dimensions are for reference only. Do not use for pre-plumbing



### OPTIONAL ACCESSORIES

Suffix	Description
___ -HCT	Hot/Cold Text Indexes
___ -LSI	2-1/2" [64mm] Long Swivel Inlets with Integral Stops
___ -2F	2.2 GPM [8.3 L] Vandal-Resistant Pressure Compensating Female Aerator
✓ -3F	0.5 GPM [1.9 L] Vandal-Resistant Pressure Compensating Female Spray Outlet
___ -4F	2.2 GPM [8.3 L] Vandal-Resistant Pressure Compensating Female Laminar Flow Outlet
___ -7F	1.0 GPM [3.8 L] Pressure Compensating Female Spray Outlet
___ -16F	1.0 GPM [3.8 L] Vandal-Resistant Pressure Compensating Spray Outlet
___ -17F	1.5 GPM [5.7 L] Vandal-Resistant Pressure Compensating Female Aerator
___ -18F	1.5 GPM [5.7 L] Vandal-Resistant Pressure Compensating Female Laminar Flow
___ -19F	1.5 GPM [5.7 L] Anti-Microbial Pressure Compensating Female Laminar Flow Outlet
___ -21F	1.0 GPM [3.8L] Pressure Compensating Female Laminar Flow Outlet
___ -22F	1.0 GPM [3.8L] Vandal-Resistant Pressure Compensating Female Laminar Flow Outlet
___ -23F	1.5 GPM [5.7L] Pressure Compensating Female Aerator

ZURN INDUSTRIES, LLC ♦ COMMERCIAL BRASS OPERATION ♦ 2640 SOUTH WORK STREET ♦ FALCONER NY 14733

Phone: 1-800-997-3876 ♦ Fax: 1-919-775-3541 ♦ www.zurn.com

In Canada: ZURN INDUSTRIES LIMITED ♦ 3544 Nashua Drive ♦ Mississauga, Ontario L4V1L2 ♦ Phone: 905/405-8272 Fax: 905/405-1292

**PRODUCT SPECIFICATIONS**

Elkay Outdoor ezH2O<sup>®</sup> Bottle Filling Station, Bi-Level Pedestal with Pet Station Non-Filtered, Non-Refrigerated Freeze Resistant. Features shall include 316 Stainless, Laminar Flow, Heavy Duty Vandal Resistant, Pet Fountain, Sealed Freeze Resistant. Furnished with Vandal Resistant bubbler. Mechanical Front Bubbler Button activation. Product shall be Floor Mount/Freestanding, for Outdoor applications, serving 2 station(s). Unit shall be lead-free design which is certified to NSF/ANSI 61 & 372 (lead free) and meets Federal and State low-lead requirements.

<b>Special Features:</b>	316 Stainless, Laminar Flow, Heavy Duty Vandal Resistant, Pet Fountain, Sealed Freeze Resistant
<b>Finish:</b>	Beige (BGE), Black (BK), Blue (BLU), Brown (BRN), Evergreen (EVG), Gray (GRY), Orange (ORN), Purple (PUR), Red (RED), Terracotta (TER), White (WHT), Yellow (YLW)
<b>Power:</b>	No Electrical Required
<b>Bubbler Style:</b>	Vandal Resistant
<b>Activation by:</b>	Mechanical Front Bubbler Button
<b>Mounting Type:</b>	Floor Mount/Freestanding
<b>Chilling Option:</b>	Non-refrigerated
<b>Dimensions (L x W x H):</b>	26" x 31" x 64"
<b>Approx. Shipping Weight:</b>	224 lbs.
<b>Installation Location:</b>	Outdoor
<b>No. of Stations Served:</b>	2



**Special Note: Bottle Filler Stations 1 (Upper), Bubbler Stations 1 (Low), Choose from 12 color options**

- Mechanically-Activated bubbler continues to supply water in event of service disruptions.
- Laminar flow provides clean fill with minimal splash.
- Base material constructed from marine-grade 316 stainless steel provides the ultimate corrosion protection from even the most corrosive elements.
- Pet Fountain: Features slow drainage for easy drinking.
- Sealed Freeze Resistant Valve System: Fully sealed freeze resistant system that minimizes chance of ground water contamination, and prevents drain water from mixing with fresh water. Designed for ground installation below the frost line.

AMERICAN PRIDE. A LIFETIME TRADITION. Like your family, the Elkay family has values and traditions that endure. For almost a century, Elkay has been a family-owned and operated company, providing thousands of jobs that support our families and communities.



**Included with Product:** Outdoor Bottle Filler, Freeze Resistant Valve

▼ Ships in multiple boxes.  
**PRODUCT COMPLIANCE**

- ADA & ICC A117.1
- ASME A112.19.3/CSA B45.4
- Buy American Act
- GreenSpec<sup>®</sup>
- NSF/ANSI 61 & 372 (lead free)



Complies with ADA & ICC A117.1 accessibility requirements when installed according to the requirements outlined in these standards. Installation may require additional components and/or construction features to be fully compliant. Consult the local Authority Having Jurisdiction if necessary.

[Installation Instructions \(PDF\)](#)

**Warranty pertains to drinking water applications only. Non-drinking water applications are not covered under warranty.**

[Warranty \(PDF\)](#)

PART: \_\_\_\_\_ QTY: \_\_\_\_\_  
 PROJECT: \_\_\_\_\_  
 CONTACT: \_\_\_\_\_  
 DATE: \_\_\_\_\_  
 NOTES: \_\_\_\_\_  
 APPROVAL: \_\_\_\_\_

*In keeping with our policy of continuing product improvement, Elkay reserves the right to change product specifications without notice. Please visit elkay.com for the most current version of Elkay product specification sheets. This specification describes an Elkay product with design, quality, and functional benefits to the user. When making a comparison of other producers' offerings, be certain these features are not overlooked.*

**OPTIONAL ACCESSORIES**

LK4471LHB - Locking Hose Bib
97890C - Accessory - Direct Bury Adaptor

**MOUNTING INSTRUCTIONS and PLUMBING INSTRUCTIONS**

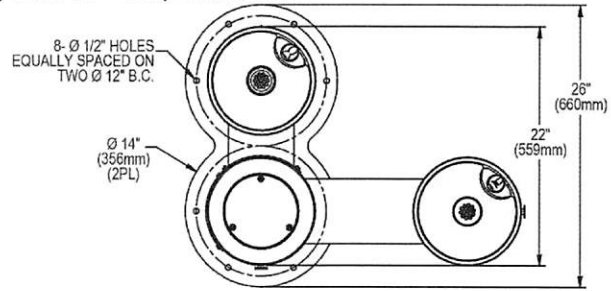
Site and drainage excavation is required for fountain installation. Refer to owner's manual for site preparation details. Provide solid, well-drained surface to mount pedestal fountain (concrete pad recommended) with adequate support (300 lb. load minimum). (8) 3/8" minimum fasteners (not included) should be attached securely to mounting surface in order to secure fountain, (Refer to rough-in diagram), and be sure to allow an opening for the freeze-resistant valve in the ground as shown in the installation instructions that accompany the fountain. (Refer to page 4 for freeze resistant valve installation). NOTE: Pet Fountain will not be freeze resistant. Refer to local codes for any additional requirements. Locate and install plumbing through ground as required. Assemble fountain to prepared site and mounting pad.

**NOTE:** Fountain is not furnished with service valve. Position pedestal over plumbing and secure base to fasteners. Remove access panels and connect supply and water lines. Turn on water supply and check for leaks. Refer to owner's manual for detailed instructions. Reassemble access panels to pedestal.  
**Trap and service stop not included.**

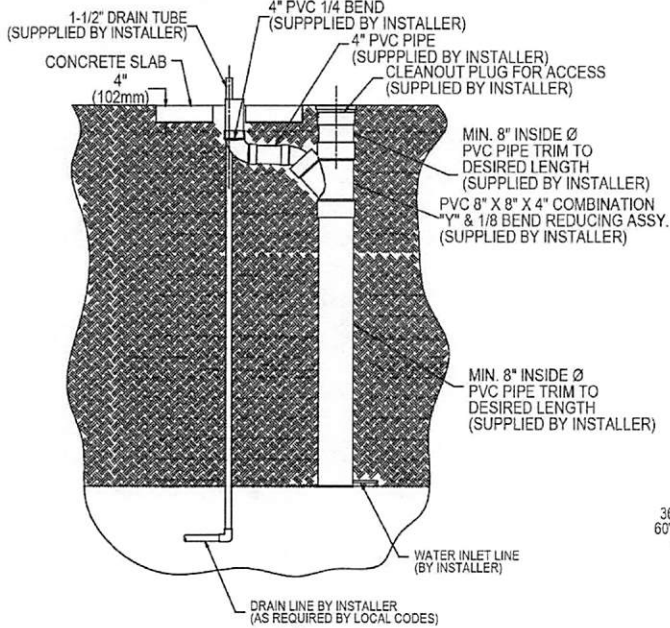
**OPERATING PRESSURES:**

Supply water 20 – 105 psi maximum

**TOP VIEW**

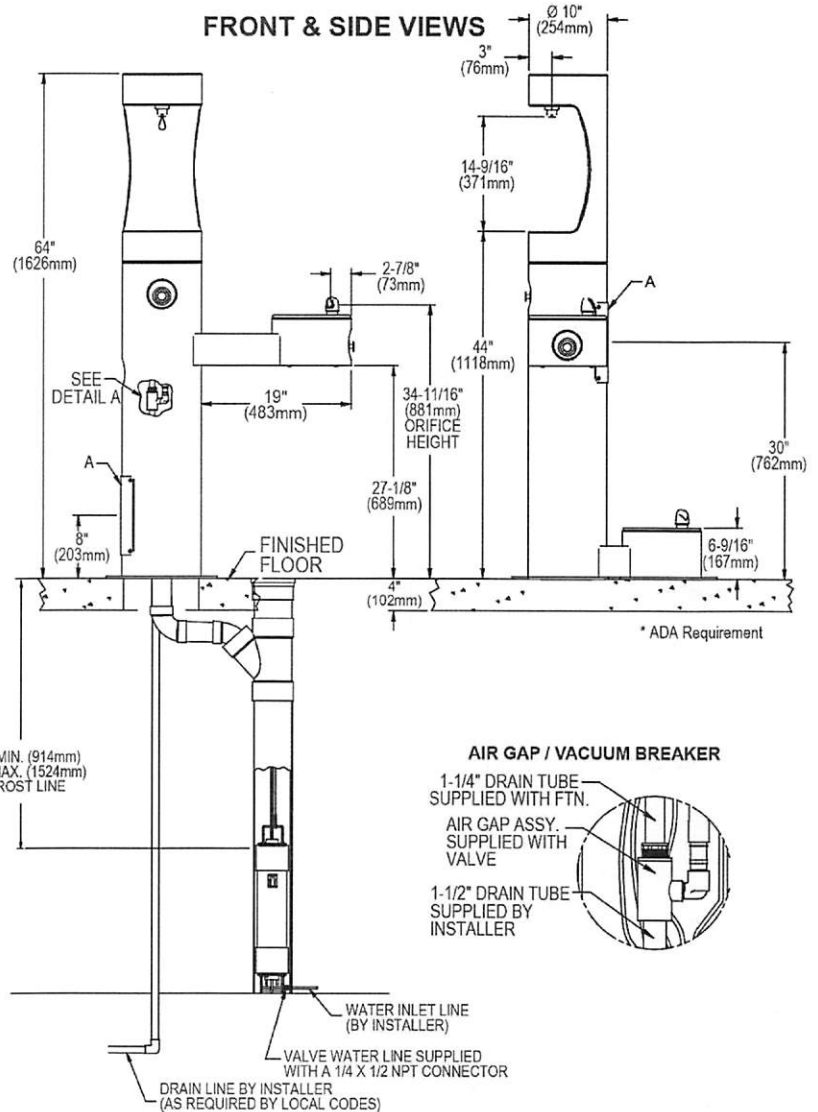


**SANITARY FREEZE-RESISTANT VALVE GROUND INSTALL DETAIL**



LEGEND  
A = Access panel (8" X 10")

**FRONT & SIDE VIEWS**



In keeping with our policy of continuing product improvement, Elkay reserves the right to change product specifications without notice. Please visit [elkay.com](http://elkay.com) for the most current version of Elkay product specification sheets. This specification describes an Elkay product with design, quality, and functional benefits to the user. When making a comparison of other producers' offerings, be certain these features are not overlooked.



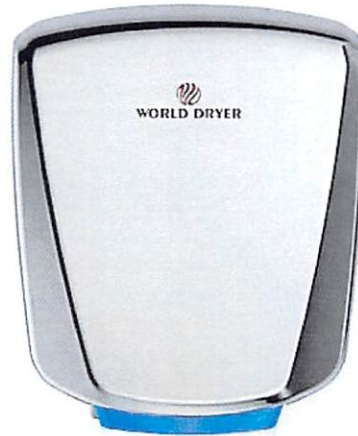
**VERDEdri®**

## **WORLD DRYER Hi-Speed Surface-Mounted ADA Compliant Hand Dryers**

VERDEdri is a high-speed, surface-mounted ADA compliant hand dryer with flexible controls and hygienic features. Combining simple, low cost ADA compliant installation, outstanding energy efficiency and extended motor life, VERDEdri provides facilities with low operating cost, long reliable service life and an attractive return on investment.

### **Product Benefits**

- 12 second dry time
- Surface-mounted ADA compliance simplifies installation and reduces installation costs
- Energy efficient - low operating cost
- Adjustable speed and sound controls
- Extended life motor with replaceable brushes maximizes service life and minimizes maintenance downtime
- HEPA filter eliminates 99.97% of pollutants, including bacteria and viruses 0.3µm or larger
- Antimicrobial technology inhibits the growth of bacteria, mold and fungus extending the dryer's service life
- Universal voltage — accepts 110-277 VAC input
- IP24 rating — protection against harmful water ingress
- Optional adapter kit<sup>1</sup> for top-entry surface-mounted conduit
- Durable and vandal resistant



**IP24**



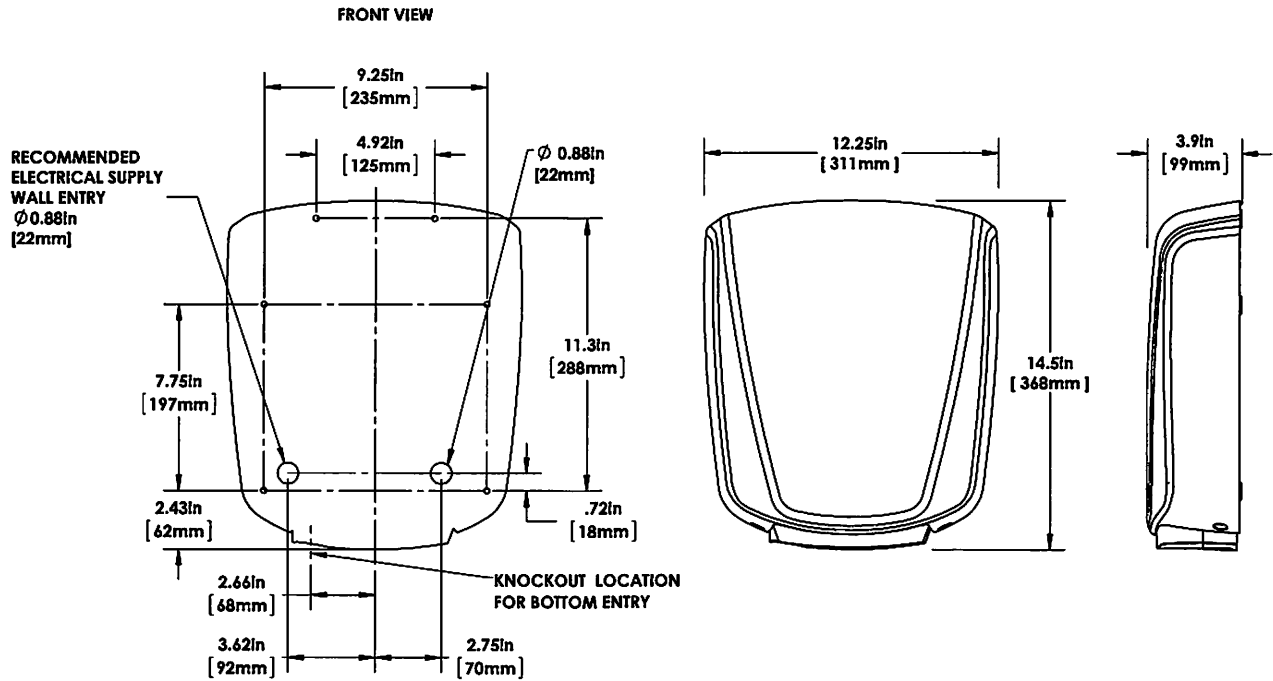
PERFORMANCE	
Dry Time:	12 seconds (adjustable)
Air Velocity:	150 – 225 mph (13,200 – 19,800 LFM)
Air Flow:	42 – 64 CFM
Air Temperature: (at 70° room temperature)	130°F
Sound at 79 in (2 m)	69 dBA

<sup>\*</sup>Sound measured at 79 in (2 m) in semi-anechoic chamber.

ELECTRICAL	
Voltage:	120 – 277 VAC (universal)
Power:	120 VAC      950 Watts 208 – 240 VAC      950 Watts 277 VAC      1150 Watts
Frequency:	50 / 60 Hz
Recommended Circuit:	Dedicated 15 Amp

<sup>1</sup> The top entry adapter is used only where top entry surface mounted electrical connections are required. To meet ADA requirements when installed with the top entry adapter, do not install in walks, halls, corridors, passageways or aisles.

CONSTRUCTION	
Cover Options (Material / Finish)	Die Cast Aluminum (White)      Die Cast Aluminum (Black) Stainless Steel (Brushed Finish)      Stainless Steel (Polished Finish)
Motor	Thermally-protected universal type, through-flow discharge vacuum type, 5/8 HP, 31,000 RPM
Heating Element	Nichrome wire construction, 475 watts, with auto-reset thermal-protector so power is disconnected if air is not flowing
Electronic Controls	Universal voltage (120 – 277 V)
Filtration	HEPA Filter (standard – eliminates 99.97% particles 0.3 microns or larger) (Accessory standard particulate filter available)
Speed Control	3 Speed Selector Switch
Activation	Automatic touch-free infrared activation with 45 second vandal-resistant lock out feature
Enclosure Security	Cover attached with tamper-resistant screws; security wrench included.
Electrical Connection Access	Access for wall mounted junction box and for bottom-entry surface mounted conduit (Accessory adapter <sup>1</sup> available for top-entry surface mounted conduit)
10 Year Limited Warranty	Warranted by the manufacturer to be free from defects in material workmanship for a period of ten (10) years from the date of purchase. See warranty statement for limitations and exclusions.



### Placement Instruction

- Hand dryers should be spaced at least 2 feet apart, near but not over the washbasin
- In congested areas, dryers should be located to create a flow from wash basin to dryer to exit
- VERDEdri should be mounted at least 18" above or away from reflective surfaces, which may interfere with the automatic sensor operation.
- Dryer Quantity Recommendation:
  - Average Traffic: 1 dryer per 2 wash basins
  - Heavy Traffic: 1 dryer per wash basin
  - Industrial 54" Circular wash fountains: 4 dryers per sink

- Recommended mounting heights from floor to dryer bottom edge

Men's washrooms	46" (117 cm)
Women's washrooms	44" (112 cm)
Children's washrooms, ages 4-7	32" (81 cm)
Children's washrooms, ages 7-10	36" (91 cm)
Children's washrooms, ages 10-13	40" (102 cm)
Children's washrooms, ages 13-17	44" (112 cm)
Handicap Mounting Height	37" (94 cm)

### Installation Guide

- VERDEdri hand dryers require a dedicated circuit and must be properly grounded
- One side of dryer should be mounted to a stud

Cover Material	Cover Finish / Kit	110-120 / 208 / 220-277 V	Unit Weight	Shipping Weight	Unit Size (HxWxD) inch/mm	Shipping Size (HxWxD) inch/mm
Aluminum	White	Q-974A2	8.3 lbs / 3.7 kgs	10.7 lbs / 4.8 kgs	14.5" x 12.25" x 3.9" 368 x 311 x 100	17.3" x 15.2" x 7.5" 440 x 385 x 190
Aluminum	Black	Q-162A2	8.3 lbs / 3.7 kgs	10.7 lbs / 4.8 kgs	14.5" x 12.25" x 3.9" 368 x 311 x 100	17.3" x 15.2" x 7.5" 440 x 385 x 190
Stainless Steel	Polished	Q-972A2	9.9 lbs / 4.4 kgs	12.2 lbs / 5.5 kgs	14.5" x 12.25" x 3.9" 368 x 311 x 100	17.3" x 15.2" x 7.5" 440 x 385 x 190
Stainless Steel	Brushed	Q-973A2	9.9 lbs / 4.4 kgs	12.2 lbs / 5.5 kgs	14.5" x 12.25" x 3.9" 368 x 311 x 100	17.3" x 15.2" x 7.5" 440 x 385 x 190
Optional Top Entry Adapter Kit		17-10504K	3.8 lbs / 1.7 kgs	6.2 lbs / 2.8 kgs	16" x 13.8" x 1.2" 406 x 350 x 30	16.9" x 14.8" x 3.5" 430 x 375 x 90
HEPA Filter		93-10490K	0.4 lbs / 0.9 kgs	0.7 lbs / 1.5 kgs	7.7" x 3.5" x 2.0" 195 x 90 x 50	9.5" x 3.5" x 3.5" 240 x 90 x 90
Accessory - Non-HEPA		93-10506K	0.4 lbs / 0.9 kgs	0.7 lbs / 1.5 kgs	7.7" x 2.0" x 2.0" 195 x 50 x 50	7.9" x 2.8" x 2.4" 200 x 70 x 60
Coarse Filter		93-10496	0.1 lbs / 0.05 kgs	0.5 lbs / 0.23 kgs	7.5" x 2.0" x 0.6" 190 x 52 x 16	10" x 5.0" x 1.0" 254 x 127 x 25

**TOILET PAPER HOLDERS - A723-1**

Item: \_\_\_\_\_



Unit may be pictured with some optional features.

- 
- A723-1**
- Ligature Resistant Toilet Paper Holder

**STANDARD FEATURES**

- **Surface Mounted Fixture.**
- Fabricated using heavy gauge type 304 stainless steel.
- Dual Roll Holder

**OPTIONS**

Toilet Paper Roll Size

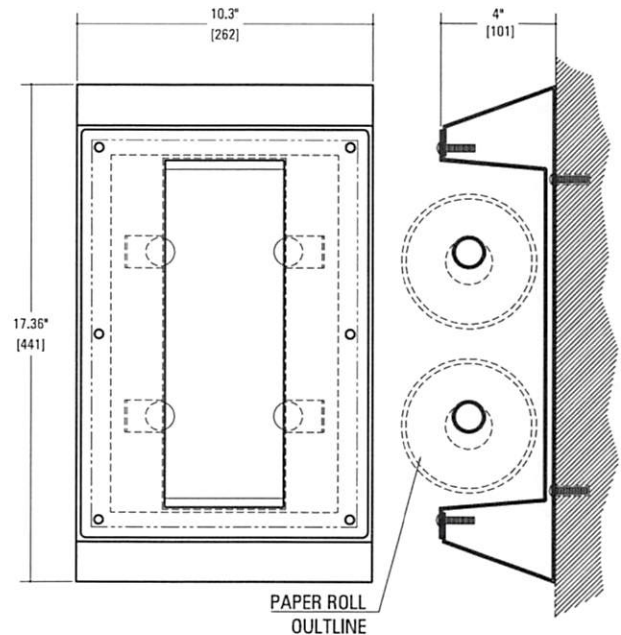
- 
- Designed for 3.9" paper.
- 
- 
- Designed for 4.5" paper.


**WARNING:** Cancer and Reproductive Harm  
 - www.P65Warnings.ca.gov.

**pat. 9,994,406**
**► DESCRIPTION/SPECIFICATION**

The Metcraft Ligature Resistant tissue holders are designed to securely hold single rolls of toilet tissue with patent pending spring tensioned balls that will support the paper roll unless enough force is applied to overcome the spring tension. Holding tension is designed to release the paper roll to inhibit its use as a ligature tie point. Four 5/16" (8mm) diameter holes on the front of the fixture are used to mount the front to the wall. Stainless steel tamper resistant 1/4-20 mounting screws to attach the front cover to the body are provided. Wall anchors provided by others.

Due to continuous product improvement Metcraft reserves the right to make changes in design and specifications without prior notice. All dimensions should be verified with the factory for current information.



<b>APPROVED FOR MANUFACTURING</b>	Company: _____	Name: _____
	Signature: _____	Date: _____



## GRAB BARS - A550-A554

Item: \_\_\_\_\_



Standard Model Pictured

- A550** 24" Long Straight Grab Bar
- A550LR** Ligature Resistant 24" Long Straight Grab Bar
- A551** 36" Long Straight Grab Bar
- A551LR** Ligature Resistant 36" Long Straight Grab Bar
- A552** 42" Long Straight Grab Bar
- A552LR** Ligature Resistant 42" Long Straight Grab Bar
- A553** 48" Long Straight Grab Bar
- A553LR** Ligature Resistant 48" Long Straight Grab Bar
- A554** 18" Long Straight Grab Bar
- A554LR** Ligature Resistant 18" Long Straight Grab Bar

### STANDARD FEATURES

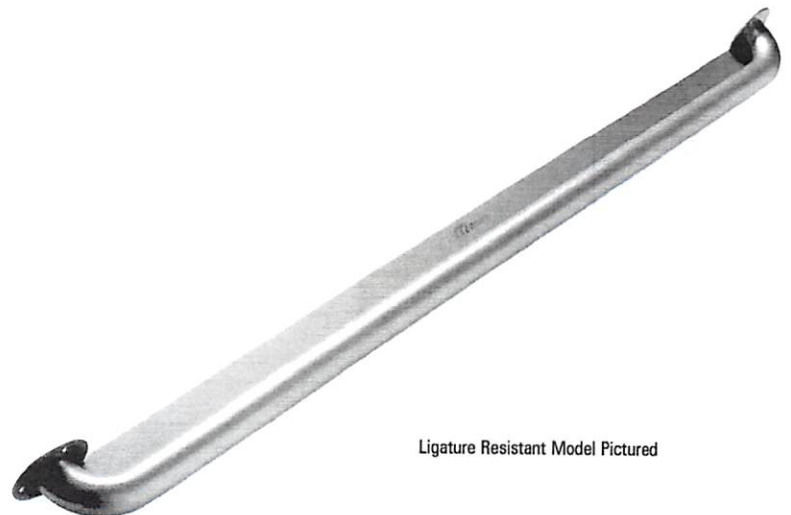
- 1-1/2" OD Grab Bar.
- 16 Gauge Type 304 Stainless Steel.
- Slip Resistant Gripping.
- 12 Gauge Flange.



**WARNING:** Cancer and Reproductive Harm  
- [www.P65Warnings.ca.gov](http://www.P65Warnings.ca.gov).

### ► DESCRIPTION

Metcraft heavy duty 1-1/2" OD grab bars are fabricated using 16 GA type 304 stainless steel. 3" diameter exposed mounting flanges are 12 GA stainless steel integrally welded to the tubing. Grab bars are provided with a slip resistant gripping surface for safety. Grab bars are designed to withstand 250 LB vertical load as required by ADA guidelines. Vandal resistant stainless steel 1/4-20 screws and corresponding bit are provided with the grab bars. Wall anchoring materials must be provided by installer.



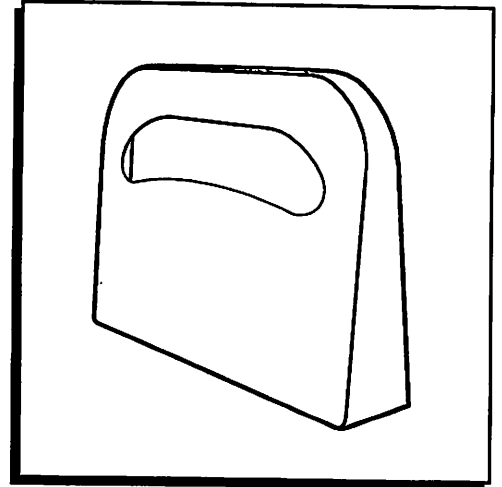
Ligature Resistant Model Pictured

Due to continuous product improvement Metcraft reserves the right to make changes in design and specifications without prior notice. All dimensions should be verified with the factory for current information.

<b>APPROVED FOR MANUFACTURING</b>	Company: _____	Name: _____
	Signature: _____	Date: _____

# ULINE H-1592 CHROME TOILET SEAT COVER DISPENSER

1-800-295-5510  
uline.com



## TOOLS NEEDED



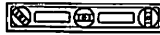
Drill



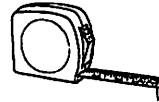
Drill Bit



Phillips Screwdriver

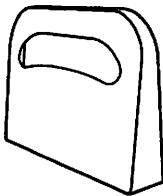


Level

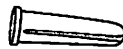


Tape Measure

## PARTS



Dispenser x 1



Wall Anchor x 2



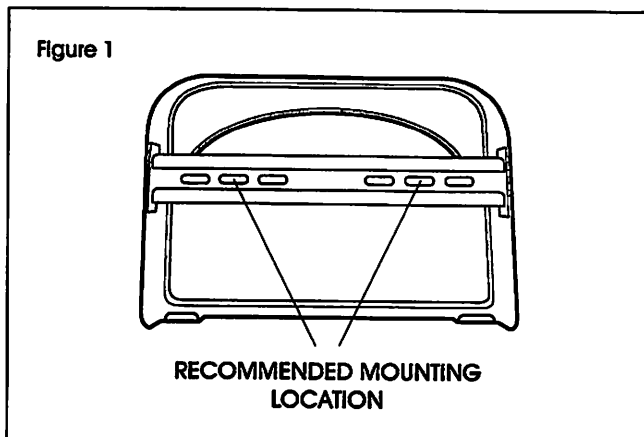
Screw x 2

## MOUNTING INSTRUCTIONS

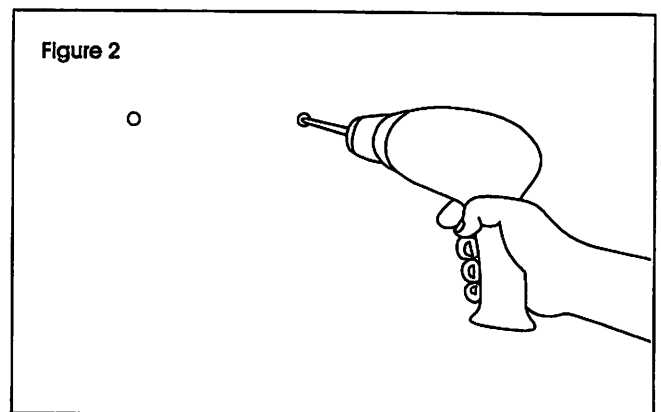


**NOTE:** Ensure that proper mounting hardware is used for appropriate wall composition. Enclosed hardware may not be compatible with wall surface.

1. Hold dispenser up to desired location and mark two holes on the wall where screws will be inserted. (See Figure 1)



2. Drill into wall at two marked locations with appropriate-sized drill bit. Insert wall anchors if necessary. (See Figure 2)

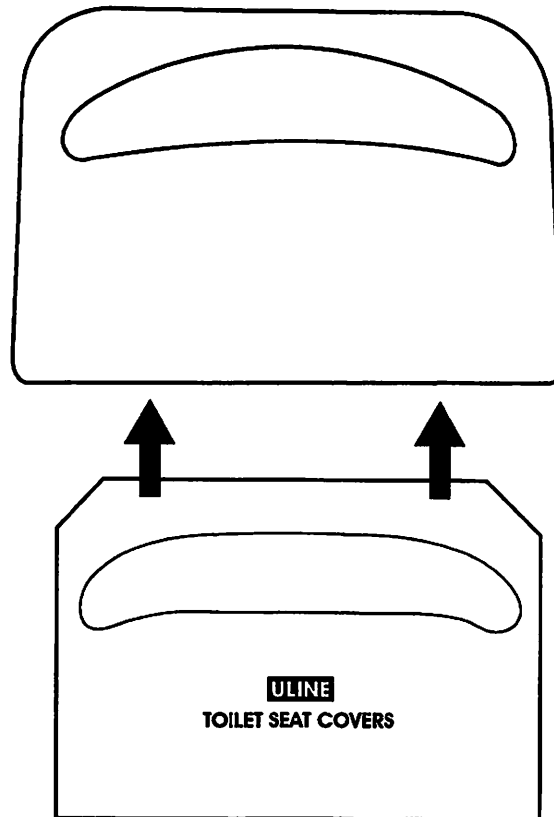


3. Hold dispenser over previously drilled holes and insert screws.

## LOADING INSTRUCTIONS

1. Remove perforated tab from toilet seat cover pack.
2. Insert pack from the bottom of the dispenser. Push the bottom of the pack towards the back of the dispenser to keep it in place. (See Figure 3)

Figure 3

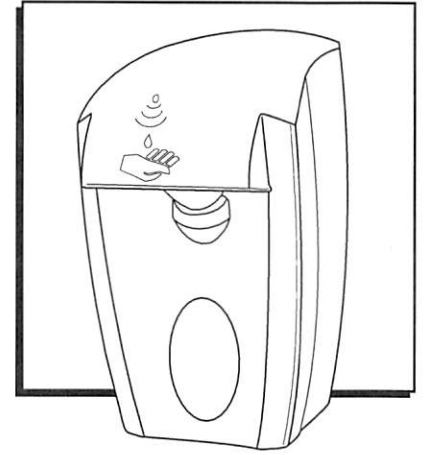
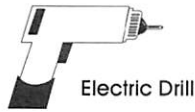


# ULINE H-3415 AUTO FOAMING SOAP DISPENSER

1-800-295-5510  
uline.com

Para Español, vea páginas 5-8.  
Pour le français, consulter les pages 9-12.

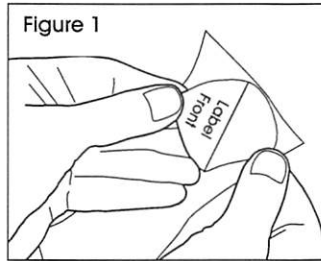
## TOOLS NEEDED



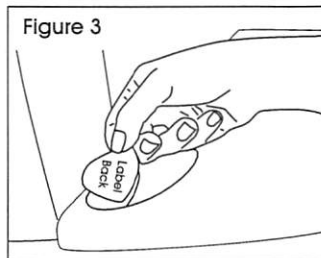
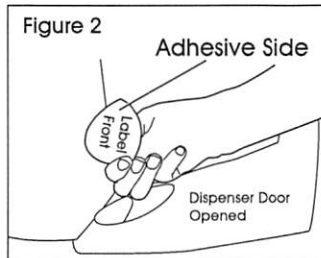
## INSTALLATION

### APPLYING DISPENSER LABEL

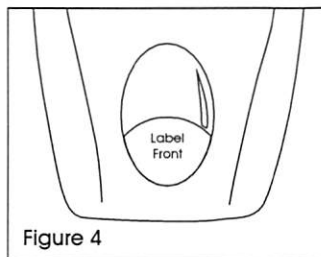
1. Peel label from backing. The adhesive is on the **FRONT** of the label. (See Figure 1)



2. Open dispenser. Place label sticky side down on the **INSIDE** of the clear oval window. (See Figures 2-3)



3. Close front of dispenser. (See Figure 4)

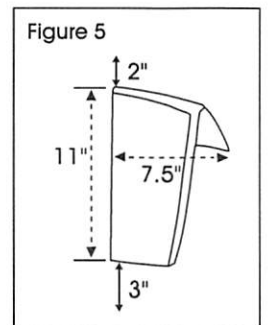


### MOUNTING INSTRUCTIONS

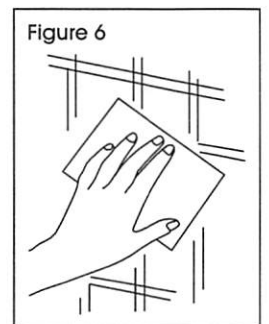
For most applications, tape mounting is adequate. For porous, textured or wallpapered surfaces, screw mounting or a combination of screw and tape mounting is recommended.

#### TAPE MOUNTING

1. Important! Dispenser opens to the front. For ideal placement, the dispenser should be mounted 3" above any countertop, fixture or obstruction, and 2" below any cabinet, fixture or obstruction. (See Figure 5)

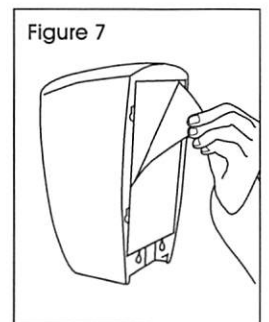


2. Clean the mounting surface thoroughly using any type of general purpose cleaner and a paper towel. (See Figure 6)



**NOTE:** Be certain surface is completely dry before proceeding.

3. Remove the protective backing from the tape pad on the back of the dispenser. Make certain that the mounting surface is clean and dry. Carefully position the dispenser to the desired location and press firmly to the surface for 30 seconds. (See Figure 7)




# INSTALLATION CONTINUED


## MOUNTING INSTRUCTIONS CONTINUED

### TAPE MOUNTING CONTINUED

4. Open the dispenser by pushing up on the release latch. The latch is on the bottom back edge of the dispenser in the center. (See Figure 8)

 **NOTE:** See "Keyed Locking Option" if you would like to convert your dispenser to a keyed system.


5. While pushing the release latch, open the dispenser by placing your other hand on the top, and guiding the front cover forward. Apply pressure from inside the dispenser over the taped area. (See Figures 9-10)

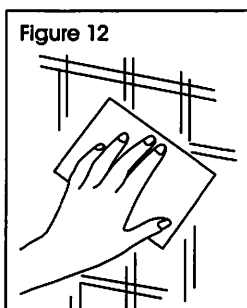
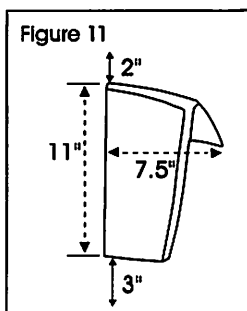
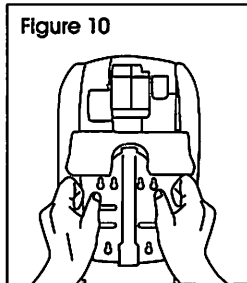
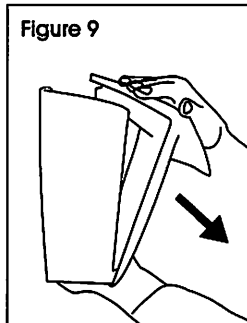
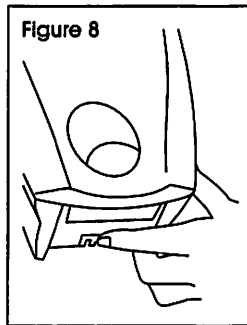
 **NOTE:** Allow dispenser to remain empty for a minimum of 8 hours before loading.

### SCREW MOUNTING


1. Important! Dispenser opens to the front. For ideal placement, the dispenser should be mounted 3" above any countertop, fixture or obstruction, and 2" below any cabinet, fixture or obstruction. (See Figure 11)

2. Clean the mounting surface thoroughly using any type of general purpose cleaner and a paper towel. (See Figure 12)

 **NOTE:** Be certain surface is completely dry before proceeding.



3. Open the dispenser by pushing up on the release latch. The latch is on the bottom back edge of the dispenser in the center. (See Figure 13)

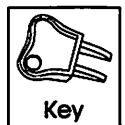
 **NOTE:** See "Keyed Locking Option" if you would like to convert your dispenser to a keyed system.


4. While pushing the release latch, open the dispenser by placing your other hand on the top, and guiding the front cover forward. (See Figure 14)

5. Hold the dispenser against the wall in the proper position and mark the appropriate slots. Drill holes in marked slots. Attach dispenser to the wall with the wall anchors and screws provided. You may choose to remove a portion of the protective backing from the tape to help hold the dispenser in position as you complete the installation. (See Figure 15)

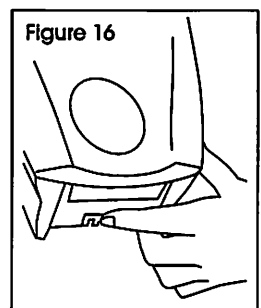
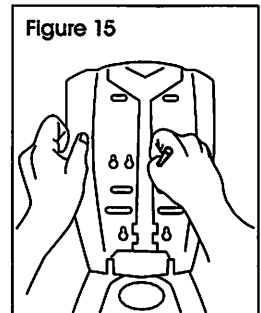
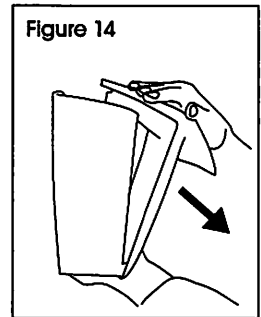
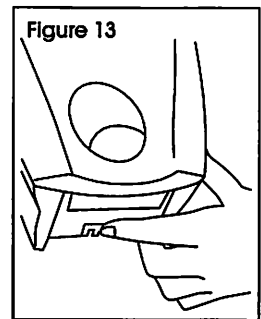
### KEYED LOCKING OPTION

For added security, your new foam dispensing system has a KEYED locking option.



 **NOTE:** The dispenser has been shipped to you in the manual, NO KEY REQUIRED mode. If you wish to convert your dispenser to the KEYED locking mode, please follow the instructions. The conversion can be completed before or after the installation.

1. Open the dispenser by pushing up on the release latch. The latch is on the bottom back edge of the dispenser in the center. While pushing the release latch, open by placing your other hand on the top, and guiding the front cover forward. (See Figure 16)



## KEYED LOCKING OPTION CONTINUED

- From the **INSIDE** of the dispenser, insert the key into the back of the dispenser in the key slot and push until the latch piece is ejected from the bottom of the dispenser. (See Figure 17)

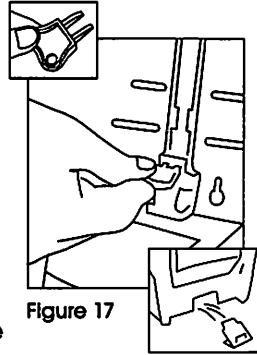


Figure 17

- Re-install the latch piece in the bottom of dispenser with the **SLOTTED SIDE AWAY** from the wall and toward the front of the dispenser. Push the latch piece into the dispenser until it snaps into place. (See Figure 18)

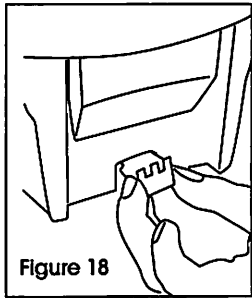


Figure 18

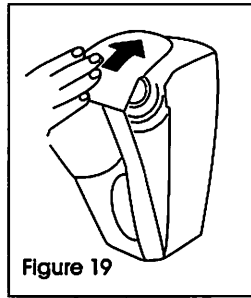


Figure 19

- To close the dispenser, place your hand on top or front of the dispenser below the push pad, and push up on the cover until it is latched. (See Figure 19)

**NOTE: DO NOT CLOSE BY PUSHING ON PUSH PAD!**

- To **OPEN**, insert key into slots of the release latch on the bottom of the dispenser and push the key up. (See Figure 20) Place your other hand on top and guide the front cover forward. (See Figure 21)

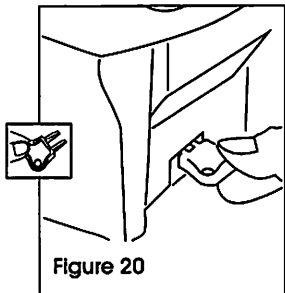


Figure 20

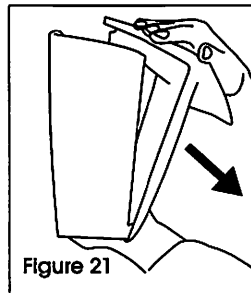


Figure 21

**NOTE: The dispenser can be converted back to the NO KEY REQUIRED mode. Complete steps #2 and #3 and insert the latch piece with the SLOTTED SIDE TOWARD the wall.**

## LOADING THE DISPENSER

- Open by pushing up on the release latch (use key if you have converted to the keyed locking mode). The latch is on the bottom back edge in the center. (See Figure 22) While pushing the release latch, open by placing your other hand on the top, and guide the front cover forward. (See Figure 23)

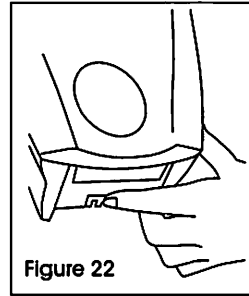


Figure 22

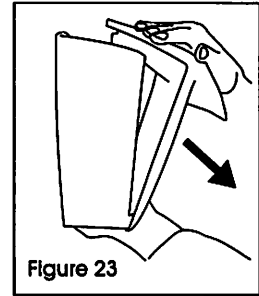


Figure 23

- Hold bag with label towards back. Load bottom of bag into dispenser. (See Figure 24) Slide the bag collar over the guide and push. Be certain the bag collar is completely inserted in the collar guide. (See Figure 25)

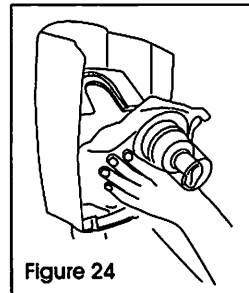


Figure 24

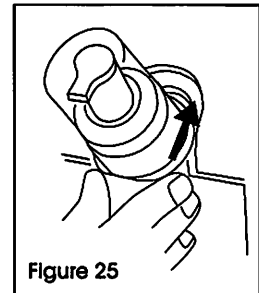


Figure 25

- Remove the protective overcap from the pump. (See Figure 26) To close the dispenser, place your hand on top or front of the dispenser below the push pad, and push up on the cover until it is latched. (See Figure 27)

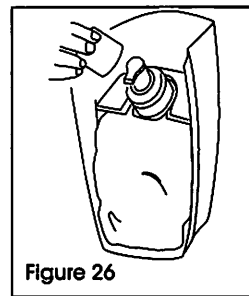


Figure 26

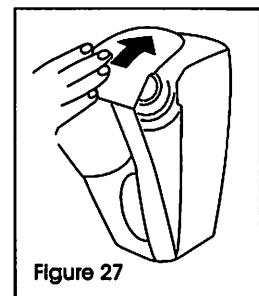


Figure 27

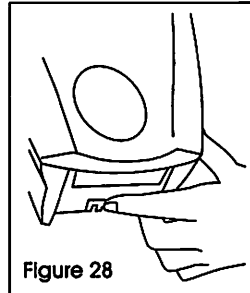
**NOTE: DO NOT CLOSE BY PUSHING ON PUSH PAD!**

## CHANGING THE BATTERIES

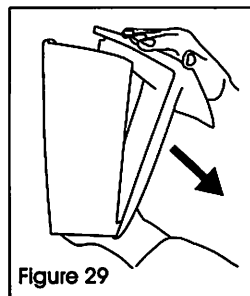
- 6 AA batteries required
- No screwdriver needed

 **NOTE:** Batteries need changing when sensor light flashes RED.

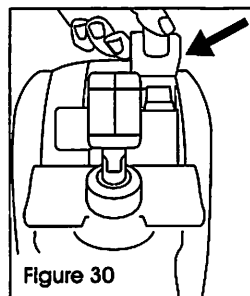
1. Open the dispenser by pushing up on the release latch (use key if you have converted to the keyed locking mode). The latch is on the bottom back edge in the center. (See Figure 28)



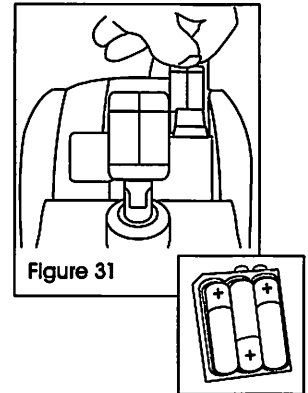
2. While pushing the release latch, open the dispenser by placing your other hand on the top, and guide the front cover forward. (See Figure 29)



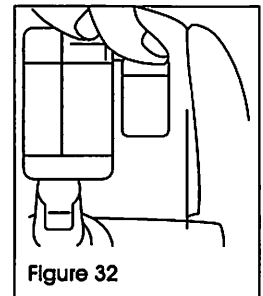
3. Flip up cover of battery compartment in upper right side. (See Figure 30)



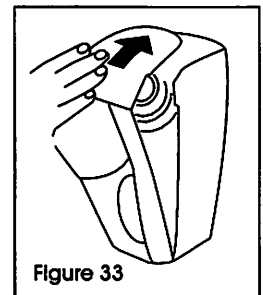
4. Unhook battery terminals and remove battery pack. Replace all 6 AA batteries with new batteries. (See Figure 31)



5. Return battery pack to space and attach battery terminals. (See Figure 32)



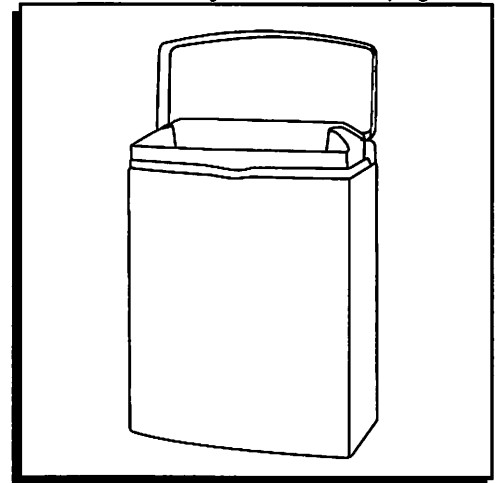
6. Close dispenser. (See Figure 33)



# ULINE H-3454

## STAINLESS STEEL WALL MOUNT SANITARY NAPKIN RECEPTACLE

1-800-295-5510  
uline.com



### TOOLS NEEDED



Drill



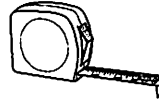
Drill Bit



Phillips Screwdriver



Level



Tape Measure

## MOUNTING INSTRUCTIONS



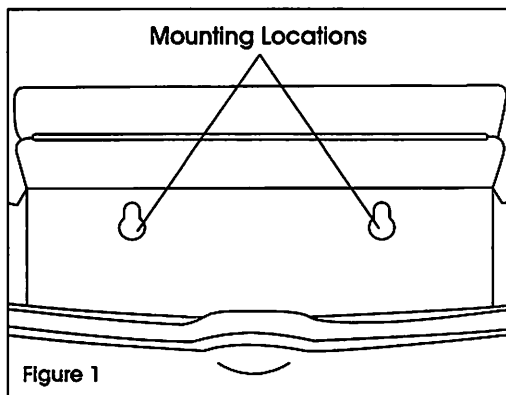
**NOTE:** Mounting hardware is not included with this item. Ensure that proper mounting hardware is used for appropriate wall composition.



**NOTE:** Recommended mounting height is approximately equal to toilet tissue dispenser.

1. Hold up receptacle to desired location and mark two holes on wall where screws will be inserted.  
(See Figure 1)

2. Drill into wall at two marked locations with appropriate-sized drill bit. Insert wall anchors if necessary.
3. Hold receptacle over previously drilled holes and insert screws.



## LINER LOADING INSTRUCTIONS

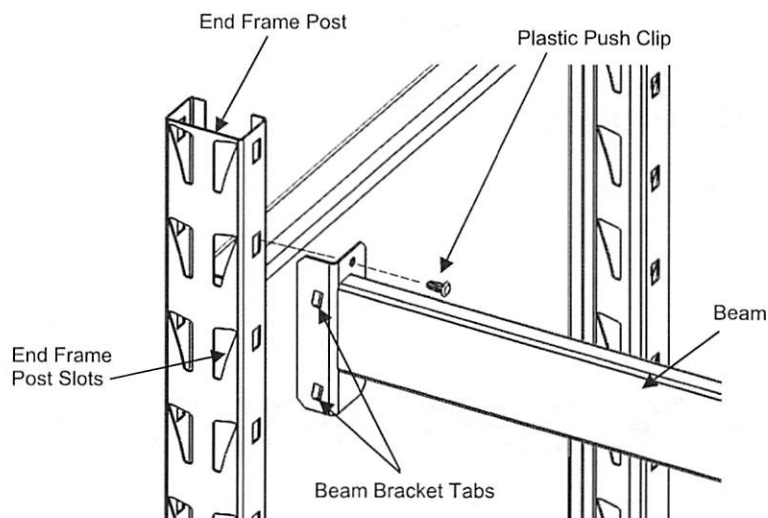
1. Open top of receptacle.
2. Place an open liner (S-15960) down into receptacle.



# Assembly Instructions

- Attach the beams to the welded end frame posts (see figure 1) starting at the bottom level by using both end frames to establish the left and the right sides of the units.
- After a beam has been placed in both end frame post slots, tap the beam down at both ends with a rubber mallet to help drive the beam bracket tabs into the slots to secure the beam. Continue assembling each level from bottom to top level (front and back).
- If the beam bracket tabs become bent due to mishandling, it may be necessary to adjust the tabs back to their proper form.
- Place a plastic push clip into the hole of the beam end bracket, then tap the plastic clip with a mallet to drive it into the square hole of the end frame post to secure the beam to the end frame (see figure 1).

Figure 1



- The completed unit should have four (4) levels evenly spaced for maximum stability.
- Although the beams are adjustable in height, it's recommended to evenly space them so that the stability of the unit is not compromised.
- Install (3) tie channels in each level by inserting the tab located on both ends of the tie channel into the slot holes located along the inside bottom edge of the beams (see figure 2).
- Insert wire deck on each level (figure 3).
- Assembly is now complete

Figure 2

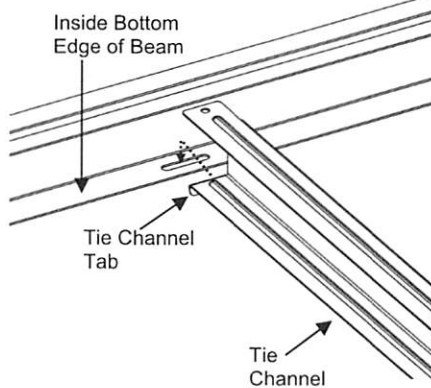
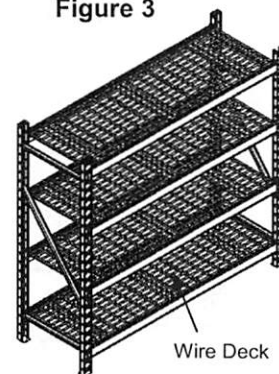


Figure 3




- Husky Welded Storage Rack is engineered to offer maximum flexibility as well as ease and quickness of assembly. The rack units can stand individually, or for greater stability, be joined together using the common post.
- Individual beams can be adjusted without disturbing the beams in adjoining units.
- These instructions should be followed exactly. All parts supplied must be used as shown. Any alteration or deviation from this instruction sheet can result in unit failure.
- After the unit is assembled, it must be placed on a level surface for safety, and optimal product performance.

Questions, problems, damage or missing part? Contact Husky's partnered manufacturer for assistance:

 **Chat:** [www.edsal.com/chat](http://www.edsal.com/chat) or [www.edsal.com/contact](http://www.edsal.com/contact)

 **Email:** [support@edsal.com](mailto:support@edsal.com)

 **Phone:** 773-475-3131

To obtain replacement parts please provide:

Model Number, Part Number & Description, Location Purchased, and Date Purchased

**Edsal Manufacturing**  
Chicago, IL 60609

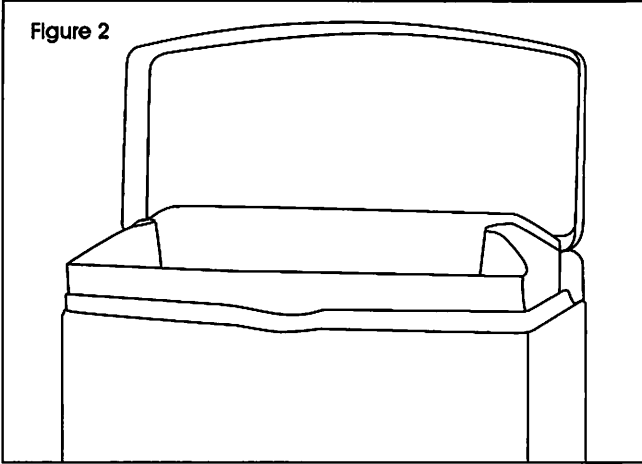
US Patents & Patents Pending

Assembled in USA  
using global components

Rev: C050918\_V3-4

## LINER REMOVAL INSTRUCTIONS

Figure 2



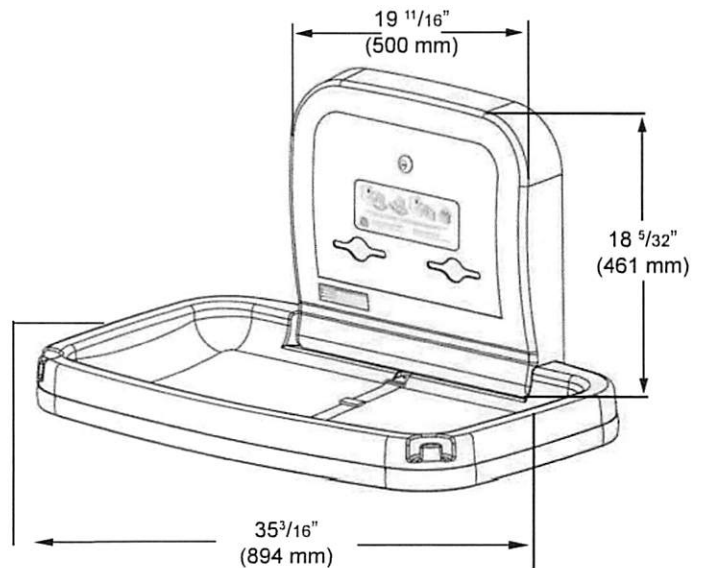
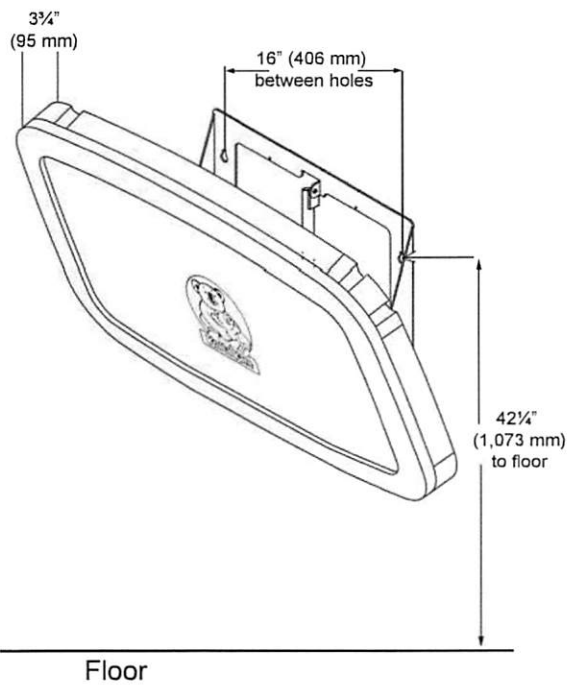
1. Open top of receptacle. (See Figure 2)
2. Carefully pinch both sides of the liner and pull up. Dispose of liner into a trash container.

# KOALA KARE PRODUCTS

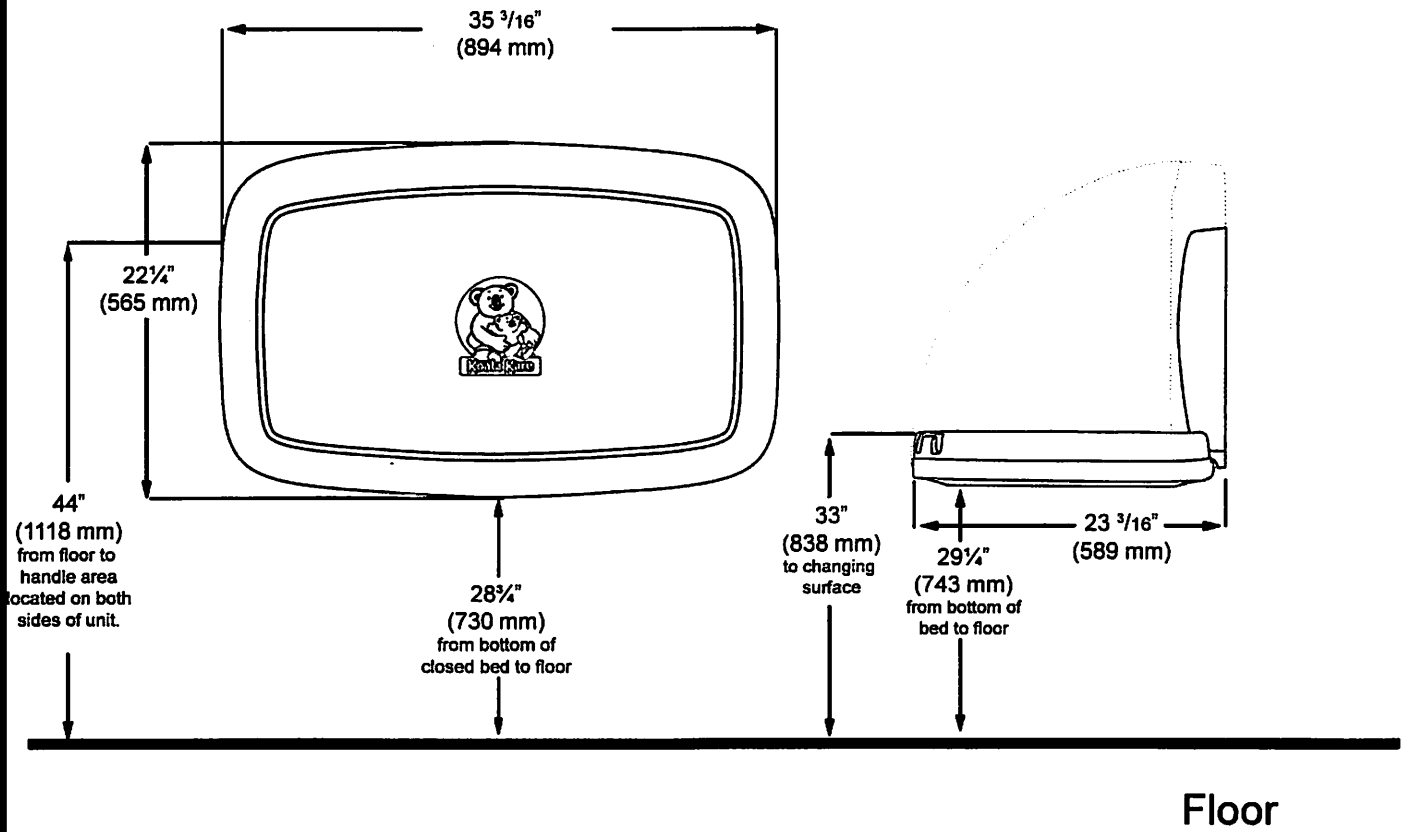
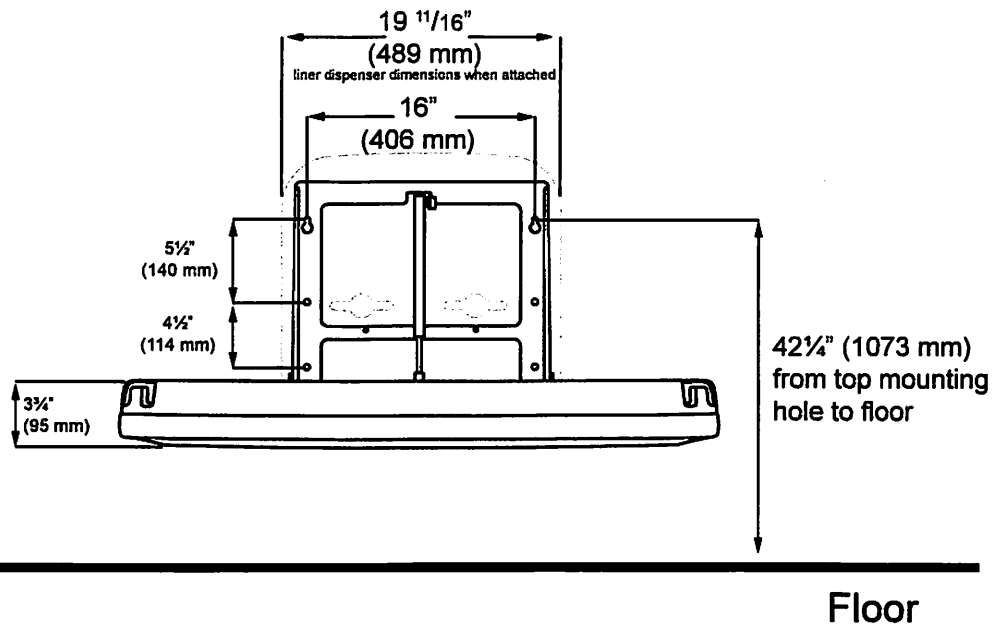
## KB200-SS HORIZONTAL WALL MOUNTED BABY CHANGING STATION WITH STAINLESS STEEL VENEER

KB200-01SS GREY

KB200-05SS WHITE GRANITE



**KB200-SS TECHNICAL DATA SHEET**



## **MATERIALS:**

FDA approved injection-molded polypropylene with Microban® antimicrobial additive embedded into the bed surface. Type 304 brushed stainless steel finish veneer. Reinforced steel-on-steel hinge mechanism and metal mounting chassis with mounting hardware included. Labelled usage instructions and safety messages in four languages. Optional Braille label available. Contoured changing surface area is 450 sq. in (2903 sq. cm) and comes complete with nylon safety strap and bag hooks. Dual cavity liner dispenser holds approximately 50 KB150-99 bed liners.

## **OPERATION:**

Concealed pneumatic cylinder and metal mounting chassis provides controlled, slow opening and closing of bed. Polypropylene is easy to clean and resists odors and bacterial growth. Complies with ASTM static load performance requirements when properly installed.

Warning: To ensure that the unit supports the intended loads, baby changing stations must be properly installed according to the manufacturer's instructions.

## **SPECIFICATION:**

Baby changing station body shall be durable, injection-molded polypropylene. Design of unit shall be surface-mounted. Front surface of unit shall have a 304 brushed stainless steel finish veneer. Unit shall be equipped with a pneumatic cylinder for controlled opening and closing of bed. Bed shall be secured to metal mounting chassis with a concealed steel-on-steel hinge. No hinge structure shall be exposed on interior or exterior surfaces. Unit shall have mounting hardware included. Unit shall have Microban® antimicrobial embedded into plastic material on the changing surface. Unit shall comply with ADA regulations when properly installed. Bed shall have smooth concave changing area with a nylon safety strap and two hooks for bags or purses. The design and manufacture of Koala products is intended to be compliant with the 2010 ADA Standards for Accessible Design and the 2009 ICC A117.1, Accessible and Usable Buildings and Facilities. Unit shall conform to ASTM F 2285-04 Standard Safety Performance Specification for Diaper Changing Tables for Commercial Use, ANSI Z535.4 Product Safety Signs and Labels, EN 12221:2008, ASTM G22 Antibacterial standards or local code if more stringent installation requirements are applicable for Barrier-Free accessibility.

Unit shall have a built-in Liner Dispenser for use with 3-ply chemical free biodegradable bed liners, instructional graphics and safety messages in 4 languages. Optional Braille label is available. Unit shall be backed by manufacturer's 5-year limited warranty on materials and workmanship and include a provision for replacement caused by vandalism. Unit shall be manufactured in the U.S.A.

## INSTALLATION:

To ensure proper installation and compliance to building codes, it is recommended that a qualified person or carpenter perform the installation of the unit. The unit must be properly installed onto a permanent wall that is capable of supporting significant weight and can accommodate the supplied installation hardware. The Koala Baby Changing Station meets ADA regulations when properly installed. Installer should account for the space that a unit occupies when in the down position and with the caregiver (whether standing or seated) in front of the unit. Locate the unit so that paths of travel are maintained around it when being used.

Drilling holes and mounting the station:

1. Remove changing station from the shipping container and check for any freight damage. If damage is found, please call Koala Kare Products' Customer Service at 888.733.3456. Remove "Installation Kit" and "Operator Kit" from box. Please give "Operator Kit" to facility manager or operator. Box should contain two pieces: the bed and metal mounting chassis and the wall mount liner dispenser. Identify the best location for installing the unit.

2. Standard Installation- Remove the bed and chassis from the box and select the wall area where the unit will be installed. Make sure you have taken into consideration the operating clearance of 9½" (241 mm) on both sides of the exposed chassis and 23 ¾" (589 mm) from wall surface when open. Measure from the floor 42¼" (1073 mm) on stud center and mark the wall. The mounting holes are designed for 16" stud centers. Ensure the locations you have marked for the mounting holes are level before drilling. Drill pilot holes for keyhole mounting using a 1/8" regular drill bit.

Masonry or Tile over Stud Wall- Use a 7/32" (6 mm) masonry drill bit for the pilot hole until you hit the stud. Change bit to 1/8" (3 mm) regular drill bit.

Metal Stud or Concrete Block- If the wall has wood studs that are not on 16" (406 mm) centers, has metal studs or an underlying surface of concrete block, drill with a ½" (13 mm) masonry bit. (You may have to purchase toggles before installing.) You must allow a minimum of inside wall space for toggles to turn depending on toggles used. Insert and tighten toggles.

3. Screw two of the mounting screws into the pilot holes leaving ¼" (6 mm) exposed to allow keyhole slots to be easily mounted over the screw heads. Place chassis over screws. After securing the unit using the keyhole slots, verify that the unit is level. Tighten top two screws so that they are flush with the wall. Use the four lower holes as a guide to mark and drill pilot holes. Use remaining four screws and four washers to complete installation of bed and metal mounting bracket. Insert washers over lower four screws. All SIX screws and four washers must be mounted to the chassis.

4. Ensure liner dispenser is free from damage. Remove key, unlock, and open liner dispenser lid. This will expose liner dispenser mounting holes. Line up dispenser mounting holes onto chassis and secure with the four screws provided. Close and lock the liner dispenser door.

5. Remove protective covering from stainless steel on the front of unit. Going with the grain, use a stainless steel cleaning product and cotton rag to remove any residue that may remain.

6. Clean work area and inspect unit to ensure it opens and closes smoothly. Give Operator Kit and key to the facility operator. Replacement parts and additional liners can be purchased from your local distributor or by calling Koala at 888.733.3456 or 303.539.8300.

*The illustrations and descriptions herein are applicable to production as of the date of this Technical Data Sheet. The manufacturer reserves the right to, and does from time to time, make changes and improvements in designs and dimensions without notice.*





## DUSTPROOF LOCKING STAINLESS STEEL COVER

WP26L | [Pass & Seymour](#)

### FEATURES & BENEFITS

Dustproof Stainless Steel Cover, Decorator/GFCI, Vertical

⚠️⚠️WARNING: This product can expose you to chemicals including DEHP and Lead, which are known to the State of California to cause cancer and birth defects or other reproductive harm. For more information, go to [www.P65Warnings.ca.gov](http://www.P65Warnings.ca.gov).



- Stainless Steel Covers are dustproof only and do not meet NEC 406.8(A) or (B).
- Exclusive -- Spec-grade stainless steel covers.
- Ideal for hard-use and corrosive applications.
- Aesthetically pleasing.

### SPECIFICATIONS

#### GENERAL INFO

Type: Locking Covers  
Special Features: Dustproof

#### LISTING AGENCIES/THIRD PARTY CERTIFICATIONS

RoHS: Yes  
CSA Listing Info: Yes  
CSA Standard: Yes  
CUL Listing No: No  
cULus: No  
cURus: No  
Federal Spec: No  
UL Listing No: Yes  
UN SPSC: 39121305

UR: No

**DIMENSIONS**

Height (US): 4.5"

Width (US): 2.75"

**TECHNICAL INFORMATION**

Material: Stainless Steel

**BUY AMERICAN ACT COMPLIANCE**

Country Of Origin: UNITED STATES OF AMERICA

Buy American Act Status: Buy American Act Compliant







## WhisperCeiling™ Fan - Quiet, Spot Ventilation Solution, 150 CFM

FV-15VQ5

### • MORE DETAILS

- Static Pressure (in inches w.g.) 0.1  
0.25
- Air Volume (CFM) 150 @ 0.1" static pressure  
127 @ .25" static pressure
- Noise (sones) <0.3 @ 150 CFM  
0.5 @ 127 CFM
- Power Consumption (Watts) 28.4 @ 150 CFM  
27.3 @ 127 CFM
- Energy Efficiency (CFM's/Watt) 5.3 @ 150 CFM  
4.7 @ 127 CFM
- Speed (RPM) 691 @ 150 CFM  
911 @ 127 CFM
- Current (Amps) 0.24 @ 150 CFM  
0.23 @ 127 CFM
- Power Rating (V/Hz) 120/60
- Motor Type Condenser
- Type of Motor Bearing Ball
- Thermal Fuse Protection Yes
- Blower Wheel Type Sirocco
- Duct Diameter (inches) 6"
- Mounting Opening (inches sq.) 10 1/2"
- Grille Size (inches sq.) 13"
- UL Listed for Tub/ Shower Enclosure Yes
- Washington State VIAQ Code Yes
- California Title 24 Compliant Yes
- Mfg in ISO 9001 Certified Facility Yes
- Energy Star Qualified Yes
- Gross Weight (lbs.) 11.5
- Dimensions (H x W x D) 10.83" x 14.17" x 16.73"
- Weight 11.46 lbs

- ◦ UPC885170005624

## DESCRIPTION

The Industrial LED Linear Bay is the energy efficient solution for both low bay and high bay applications. The Linear Bay has been optimized to provide maximum performance utilizing the latest in LED technology. Several lumen packages and distributions make it suitable for a wide range of applications including "big box" retail, shopping malls, school gymnasiums, light industrial, warehouse and manufacturing.

## SPECIFICATION FEATURES

### Construction

Specification grade full body housing, end plates and socket tracks are die formed cold rolled steel in 4' or 8' lengths. The housing features an integral driver channel that adds strength and provides numerous KO's for easy installation.

### Electrical

Long-life LED system coupled with electrical driver to deliver optimal performance. LED's available in 3500k, 4000k and 5000k with a CRI ≥ 80. cULus listed. Electronic drivers are available for 120-277V, 347V and 480V applications. 0-10V dimming driver is standard. Optional modular power receptacle meets UL2459 and NEC 410.73 and is UL/cUL rated for make and break under load from outside the luminaire to speed maintenance.

### Finish

Electrostatically applied baked white enamel finish is preceded

by a multistage cleaning cycle, iron phosphate coating with rust inhibitor.

### Optics

Optical modules are enclosed inside housing to protect against damage. Available in narrow or wide distributions. Narrow beam optical modules utilize 95% specular aluminum finish. An optional attractive thin blade white baffle adds longitudinal shielding. A clear or frosted white acrylic lens is also available. Optional heavy duty wireguard can be used with or without the lens or baffle. Latched retention of shielding optics (safety leader restraints) allows for easy access.

### Mounting

Suitable for surface, suspension mounting with optional wire hook and chain set, stem or cable mounting. Top connector box mounting is also available. Narrow 11" housing allows mounting

within 12" horizontally from the nearest edge of the sprinkler deflector.

### Compliance

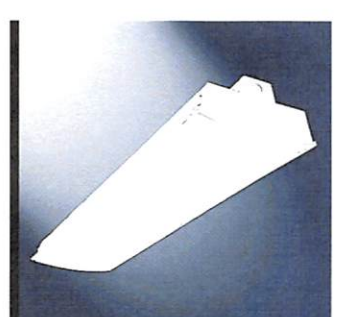
Luminaires are cULus listed for damp locations -20°C - 45°C ambient environments. RoHS compliant, and LED modules comply with IESNA LM-79/ LM-80 standards. DesignLights Consortium® Qualified and classified for both DLC Standard and DLC Premium, refer to www.designlights.org for details.

### Options

Integral Occupancy Sensor available and provides from 600 sq. ft. (MS) up to 1250 sq. ft. (MSO) of coverage at a maximum mounting height of 40'.

### Warranty

Five-year warranty.

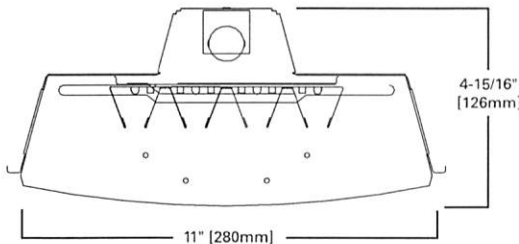


## INDUSTRIAL LED LINEAR BAY

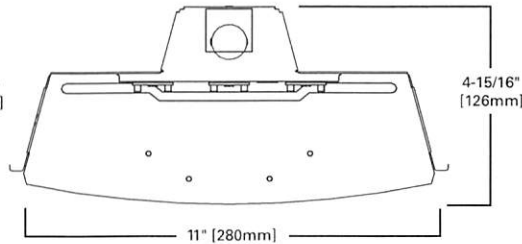
LED Linear Bay Lighting System



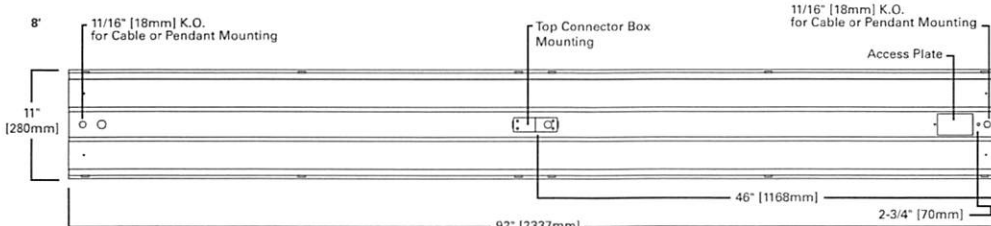
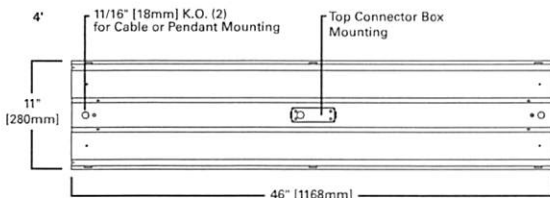
### NARROW DISTRIBUTION



### WIDE DISTRIBUTION



## MOUNTING DATA



## CERTIFICATION DATA

Damp Location Listed  
LM79/LM80 Compliant  
ROHS Compliant

## ENERGY DATA

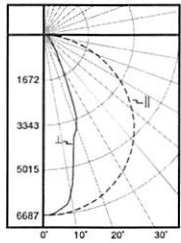
Catalog No.	Input Watts
4ILED-LD5-5	33
4ILED-LD5-7	50
4ILED-LD5-9	66
4ILED-LD5-11	84
4ILED-LD5-14	102
4ILED-LD5-16	127

## LINEAR DISCONNECT

Safe and convenient means of disconnecting power



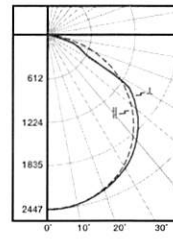
PHOTOMETRICS



**4ILED-LD5-7-N-UNV-L840-CD1-U**  
 Electronic Driver  
 Linear LED 4000K  
 Spacing criterion: (II) 1.27 x mounting height, (⊥) 0.59 x mounting height  
 Lumens: 6730  
 Input Watts: 50.4W  
 Efficacy: 133.5 lm/W  
 Test Report: 4ILED-LD5-7-N-UNV-L840-CD1-U.  
 IES

**Candlepower**

Angle	Along II	45°	Across ⊥
0	6691	6691	6691
5	6662	6491	6457
10	6577	6265	5616
15	6442	5259	3917
20	6262	3874	3254
25	6020	3427	1232
30	5747	2189	508
35	5401	891	107
40	5016	372	73
45	4580	83	32
50	4061	47	16
55	3555	27	15
60	2973	22	14
65	2370	20	13
70	1749	18	12
75	1112	17	11
80	553	15	7
85	100	11	6
90	0	0	0



**4ILED-LD5-7-W-UNV-L840-CD1-U**  
 Electronic Driver  
 Linear LED 3500K  
 Spacing criterion: (II) 1.29 x mounting height, (⊥) 1.32 x mounting height  
 Lumens: 7060  
 Input Watts: 50.4W  
 Efficacy: 140.1 lm/W  
 Test Report: 4ILED-LD5-7-W-UNV-L840-CD1-U.  
 IES

**Candlepower**

Angle	Along II	45°	Across ⊥
0	2446	2446	2446
5	2437	2435	2445
10	2413	2410	2418
15	2368	2366	2376
20	2305	2310	2322
25	2226	2236	2249
30	2131	2148	2167
35	2005	2049	2065
40	1861	1936	1932
45	1703	1785	1789
50	1537	1617	1624
55	1338	1429	1446
60	1136	1224	900
65	918	1003	542
70	689	414	423
75	456	292	216
80	237	132	68
85	66	45	44
90	0	0	0

**Coefficients of Utilization**

rc rw RCR	Effective floor cavity reflectance																	
	80%			70%			50%			30%			10%			0%		
	70	50	30	10	70	50	30	10	50	30	10	50	30	10	50	30	10	0
0	119	119	119	119	116	116	116	116	111	111	111	106	106	106	102	102	102	100
1	112	108	105	102	109	106	103	101	102	100	98	98	96	95	95	93	92	90
2	105	99	94	89	102	97	92	88	93	90	86	90	87	84	87	85	83	81
3	98	90	84	79	96	89	83	78	86	81	77	83	79	76	81	78	75	73
4	92	83	76	71	90	81	75	70	79	74	70	77	72	69	75	71	68	66
5	86	76	69	64	85	75	69	64	73	68	63	72	67	63	70	66	62	60
6	81	71	64	59	80	70	63	58	68	62	58	67	62	58	65	61	57	55
7	77	66	59	54	75	65	58	54	64	58	53	62	57	53	61	56	53	51
8	73	62	55	50	71	61	54	50	60	54	50	59	53	49	58	53	49	48
9	69	58	51	46	67	57	51	46	56	50	46	55	50	46	54	49	46	44
10	65	54	48	43	64	54	48	43	53	47	43	52	47	43	51	46	43	41

**Zonal Lumen Summary**

Zone	Lumens	% Fixture
0-30	3685	54.8
0-40	4846	72.0
0-60	6218	92.4
0-90	6729	100.0
0-180	6729	100.0

**Luminance Data**

Angle in Deg	Average 0-Deg cd/sm	Average 45-Deg cd/sm	Average 90-Deg cd/sm
45	19840	360	137
55	18988	146	79
65	17178	145	92
75	13159	200	124
85	3518	369	221

**Coefficients of Utilization**

rc rw RCR	Effective floor cavity reflectance																	
	80%			70%			50%			30%			10%			0%		
	70	50	30	10	70	50	30	10	50	30	10	50	30	10	50	30	10	0
0	119	119	119	119	116	116	116	116	111	111	111	106	106	106	102	102	102	100
1	109	105	101	97	107	103	99	96	98	95	93	95	92	90	91	89	87	85
2	100	92	85	80	97	90	84	79	86	81	77	83	79	75	80	77	73	71
3	91	81	73	66	89	79	72	66	76	70	65	73	68	63	71	66	62	60
4	83	71	63	56	81	70	62	56	68	61	55	65	59	54	63	58	54	51
5	77	64	55	48	74	63	54	48	61	53	48	59	52	47	57	51	47	44
6	71	57	48	42	69	56	48	42	55	47	42	53	46	41	51	45	41	39
7	65	52	43	37	64	51	43	37	50	42	37	48	41	36	47	41	36	34
8	61	47	39	33	59	47	38	33	45	38	33	44	37	32	43	37	32	30
9	57	43	35	30	55	43	35	30	42	34	29	41	34	29	39	33	29	27
10	53	40	32	27	52	39	32	27	38	31	27	37	31	26	37	31	26	25

**Zonal Lumen Summary**

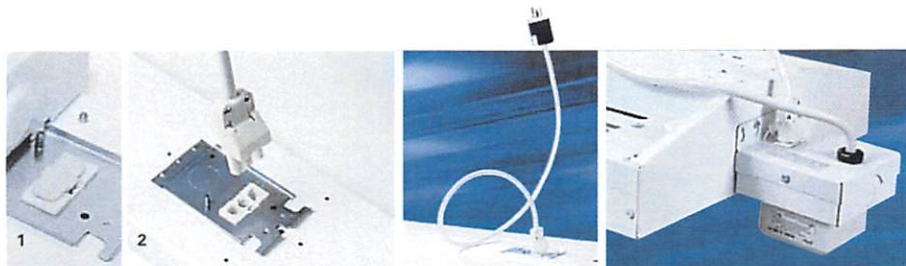
Zone	Lumens	% Fixture
0-30	1935	27.4
0-40	3214	45.5
0-60	5833	82.6
0-90	7060	100.0
0-180	7060	100.0

**Luminance Data**

Angle in Deg	Average 0-Deg cd/sm	Average 45-Deg cd/sm	Average 90-Deg cd/sm
45	7378	7732	7749
55	7144	7633	7722
65	6652	7267	3926
75	5397	3460	2560
85	2330	1575	1539

**Modular Power Supply Option**

Eaton's Modular Power Supply option is available for use with all Metalux products. The modular power supply allows external fixture access for safe and easy servicing. There is no need to remove lamps or reflectors to disconnect fixture power with Modular Power Supply. Access to the individual fixture's power supply allows servicing without turning off all the fixtures, disrupting occupants. The Modular Power Supply is a time-saver in installation – **simply plug & power.**



- Modular Power Supply Receptacle supplied mounted into fixture Access Plate
- Modular Power Cord & Plugs in 120, 277, 347, & 480V configurations for easy plug & power into existing supply

No internal fixture access required for installation or disconnecting power

Modular Motion Sensor Option supplied with Mounting Box and Modular Power Supply Receptacle

**Code Compliance**

- UL/cUL Certified for Make/Break under load (UL2549)
- Meets NEC requirements for ballast disconnect (NEC 410.73G)
- Allows for addition of Occupancy Sensor without hard connections
- Receptacles complete with insulating/dust cap

## LUMEN MAINTENANCE

Ambient Temperature	TM-21 Lumen Maintenance (60,000 hours)	Theoretical L70 (Hours)
25°C	> 86%	171,000

## ENERGY AND PERFORMANCE DATA BY CATALOG NUMBER

Catalog Number	Delivered Lumens	Watts	Efficacy (lm/W)
<b>4 ft. Length</b>			
4ILED-LD5-5-W-UNV-L840-CD1-U	5026	33	155
4ILED-LD5-7-W-UNV-L840-CD1-U	7060	50	140
4ILED-LD5-9-W-UNV-L840-CD1-U	9016	66	137
4ILED-LD5-11-W-UNV-L840-CD1-U	11018	84	131
4ILED-LD5-14-W-UNV-L840-CD2-U	13953	102	137
4ILED-LD5-16-W-UNV-L840-CD2-U	16216	127	128
<b>8 ft. Length</b>			
8ILED-LD5-10-W-UNV-L840-CD1-U	10052	65	155
8ILED-LD5-14-W-UNV-L840-CD2-U	14120	101	140
8ILED-LD5-18-W-UNV-L840-CD2-U	18032	131	137
8ILED-LD5-22-W-UNV-L840-CD2-U	22036	168	131
8ILED-LD5-28-W-UNV-L840-CD4-U	27906	204	137
8ILED-LD5-32-W-UNV-L840-CD3-U	32432	253	128

## AMBIENT RATINGS

Lumen Package	Ambient Rated	Drivers			Lensed	EM
		CD	SD	5LTD		
4ILED-LD5-5	45°C	45°C	45°C	45°C	45°C	35°C
4ILED-LD5-7	45°C	45°C	45°C	45°C	45°C	35°C
4ILED-LD5-9	45°C	45°C	45°C	45°C	45°C	35°C
4ILED-LD5-11	45°C	45°C	45°C	45°C	45°C	35°C
4ILED-LD5-14	45°C	45°C	45°C	45°C	45°C	35°C
4ILED-LD5-16	40°C	40°C	40°C	40°C	40°C	35°C

ORDERING INFORMATION

SAMPLE NUMBER: 4ILED-LD5-9-W-FL-UNV-L840-CD1-U

<p><b>Length</b> 4=4' Length 8=8' Length</p> <p><b>Series</b> <sup>(1)</sup> ILED=LED High Bay</p> <p><b>Mounting Arrangement</b> Blank=Stand Alone R=Continuous Row Mount</p> <p><b>Lamp Type</b> LD5=LED 5.0</p> <p><b>LED Lumen Output</b></p> <table border="1"> <tr> <th>4 ft.</th> <th>8 ft.</th> </tr> <tr> <td>5=5,000 Lumens</td> <td>10=10,000 Lumens</td> </tr> <tr> <td>7=7,000 Lumens</td> <td>14=14,000 Lumens</td> </tr> <tr> <td>9=9,000 Lumens</td> <td>18=18,000 Lumens</td> </tr> <tr> <td>11=11,000 Lumens</td> <td>22=22,000 Lumens</td> </tr> <tr> <td>14=14,000 Lumens</td> <td>28=28,000 Lumens</td> </tr> <tr> <td>16=16,000 Lumens <sup>(1)</sup></td> <td>32=32,000 Lumens <sup>(1)</sup></td> </tr> </table> <p><b>Distribution</b> N=Narrow <sup>(2)</sup> W=Wide</p> <p><b>Shielding Options</b> Blank=Open TBW=Thin White Baffle <sup>(5)</sup> FL=Frosted Acrylic Lens &amp; Frame <sup>(2), (5)</sup> FL/UPL=Frosted Lens w/Uplight <sup>(2), (5)</sup> CL=Clear Acrylic Lens &amp; Door Frame <sup>(2), (5)</sup> ASY=Asymmetric Directional Louver <sup>(2), (5)</sup> WG=Heavy Duty Wireguard</p>	4 ft.	8 ft.	5=5,000 Lumens	10=10,000 Lumens	7=7,000 Lumens	14=14,000 Lumens	9=9,000 Lumens	18=18,000 Lumens	11=11,000 Lumens	22=22,000 Lumens	14=14,000 Lumens	28=28,000 Lumens	16=16,000 Lumens <sup>(1)</sup>	32=32,000 Lumens <sup>(1)</sup>	<p><b>Voltage</b> UNV=Universal 120-277 Voltage UNC=Universal 347/480 Voltage 120V=120 Volt 277V=277 Volt 347V=347 Volt <sup>(4)</sup> 480V=480 Volt <sup>(4)</sup></p> <p><b>CCT</b> L830=3000K L835=3500K L840=4000K L850=5000K</p> <p><b>Options</b> <b>Emergency</b> EL7W=Emergency Installed, 7 Watts <sup>(3), (4)</sup> EL14W=Emergency Installed, 14 Watts <sup>(3), (4)</sup> GTR2=Bodine Generator Transfer Relay <sup>(7)</sup> ETR2=Iota Emergency Transfer Relay <sup>(7)</sup> ETRD=Iota Emergency Transfer Relay with dimming control <sup>(7)</sup></p>	<p><b>Driver Type</b> CD=0-10V Dimming (standard) 1=1 Driver 2=2 Drivers (14,000, 16,000, 18,000, 22,000 lumen) 3=3 Drivers (32,000 lumen) 4=4 Driver (28,000 lumen)</p> <p><b>SD=Step-dim Driver</b> 1=1 Driver 2=2 Drivers (10,000, 11,000, 14,000 lumen) 3=3 Drivers (16,000, 18,000, 22,000 lumen) 4=4 Drivers (28,000, 32,000 lumen)</p> <p><b>5LTD=Fifth Light DALI</b> 1=1 Driver 2=2 Drivers (14,000, 16,000, 18,000, 22,000 lumen) 3=3 Drivers (28,000, 32,000 lumen)</p>	<p><b>Options</b> <b>Wiring</b> PI_NG=Plug In System (1, 2, or 3 Circuit Capability), No Ground (ground provided by fixture body) <sup>(6)</sup> PI_WG=Plug In System (1, 2, or 3 Circuit Capability), With Ground (separate ground wire in harness) <sup>(6)</sup> CPI_NG=Crossover Plug In System (2 or 3 Circuit Capability) No Ground (ground provided by fixture body) <sup>(6)</sup> CPI_WG=Crossover Plug In System (2 or 3 Circuit Capability) With Ground (separate ground wire in harness) <sup>(6)</sup> MWS=Modular Wiring System MS=360° or 180° Motion Sensor, 120 through 347, or 480V MP=Modular Power Receptacle (Used for all Cord or Cord and Plug options)</p> <p><b>Accessories (order separately)</b> ILED-SPM=Single Monopoint Hanger w/Hub FH-1=Fixture Hook FL-1=Fixture Loop SHK=Fixture Hook AYC-CHAIN/SET/U=(2) Hooks, 36" Chain Sets w/S-Hooks TOGGLE=Single Toggle, #2 Cable (Specify 10' or 30') LOOP=Loop Hanger, #2 Cable (Specify 10' or 30') MC6=6' Modular Power Cord MPC6=6' Modular Power Cord &amp; Plug (Specify Voltage) MMS=360° or 180° Aisle Motion Sensor with Modular Power Receptacle (120-277V) MDS6=6' Modular Power Cord with MWS 27DS18/2G06MP Connector</p> <p><b>Door Frames (for Field Installation) <sup>(8)</sup></b> ILED-4-FRM/FL-PK=4 ft. Frosted Acrylic Lens &amp; Frame ILED-4-FRM/CL-PK=4 ft. Clear Acrylic Lens &amp; Frame ILED-4-WG-PK=4 ft. Wireguard ILED-4-TBW-PK=4 ft. Thin White Baffle ILED-4-ASY-PK=4 ft. Asymmetric Directional Louver</p>	<p><b>Packaging</b> U=Unit Pack PAL=Palletized Out of Carton PALC=Palletized In Carton</p>
4 ft.	8 ft.																	
5=5,000 Lumens	10=10,000 Lumens																	
7=7,000 Lumens	14=14,000 Lumens																	
9=9,000 Lumens	18=18,000 Lumens																	
11=11,000 Lumens	22=22,000 Lumens																	
14=14,000 Lumens	28=28,000 Lumens																	
16=16,000 Lumens <sup>(1)</sup>	32=32,000 Lumens <sup>(1)</sup>																	

NOTES: <sup>(1)</sup> Max. ambient 40C for 16K and 32K lumen packages. <sup>(2)</sup> Narrow distribution not available with FL, FL/UPL, CL and ASY shielding options. <sup>(3)</sup> Max. ambient 35C for EL options. <sup>(4)</sup> EL not available in 347 or 480V configurations. <sup>(5)</sup> Wireguard available in conjunction with shielding option (catalog example TBW/WG). <sup>(6)</sup> PI option does not include low voltage wiring for 0-10V dimming. <sup>(7)</sup> Used to bypass local control during outage. Must be used in conjunction with UL 1008 device (provided by others). GTR2 and ETR2 options include 2 relays on fixtures with dimming drivers. ETRD option only requires one relay when used on a dimming fixture. Must specify voltage as 120V or 277V when ordering these devices. <sup>(8)</sup> 8 ft. fixtures require two door frames per fixture. <sup>(9)</sup> DesignLights Consortium <sup>(9)</sup> Qualified and classified for both DLC Standard and DLC Premium, refer to www.designlights.org for details.

Specifications & dimensions subject to change without notice. Consult your Eaton Representative for availability and ordering information.

PI OPTION ORDERING INFORMATION

Catalog Number Suffix	Number of Circuits	Circuit Wired To Ballast
PI 1 BLK	1	Black
PI 2 BLU	2	Blue
PI 2 BLK	2	Black
PI 3 RED	3	Red
PI 3 BLU	3	Blue
PI 3 BLK	3	Black

Catalog Numbering System

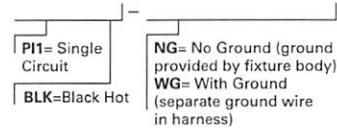
The PI System is available in sections up to 8' in length for continuous row wiring by simply plugging the sections together. Each PI section is factory wired to the ballast leads. Color coding of wires is as follows:

- PI-1 = One Circuit - 2 Wires: one black, one white
- PI-2 = Two Circuits - 3 Wires: one black, one blue, one white
- PI-3 = Three Circuits - 4 wires: one black, one blue, one red, one white

When ordering the PI2/PI3 System it is necessary to specify the number of fixtures required for each circuit. Each circuit in fixture must be ordered as a separate line item, with a different hot wire color specified. All wiring to external feeds, using cord or cord & plug, are responsibility of installing licensed contractor. Cord and cord & plug sets must be ordered separately if PI option is chosen.

PI1 - Single Circuit Plug-In

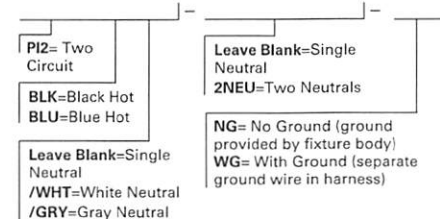
SAMPLE NUMBER: PI1BLK-WG



Specifications & dimensions subject to change without notice. Consult your Eaton Representative for availability and ordering information.

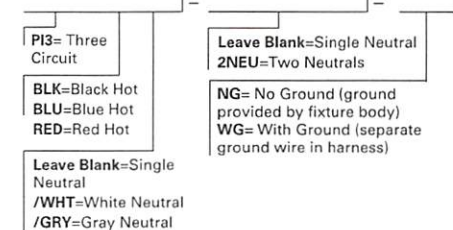
PI2 - Two Circuit Plug-In

SAMPLE NUMBER: PI2BLK-WG



PI3 - Three Circuit Plug-In

SAMPLE NUMBER: PI3BLK-WG



SHIPPING DATA

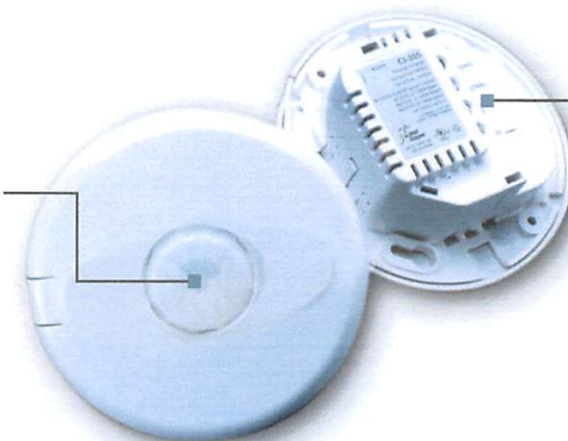
Catalog No.	Wt.
4ILEDL	15 lbs.
8ILED	30 lbs.

## PASSIVE INFRARED LINE VOLTAGE CEILING SENSOR

| CI-355

Architecturally appealing  
low profile appearance

360° coverage



Terminal wiring for quick and  
easy installation

Operates at 120, 230 (single  
phase), 277 or 347 VAC, 50/60 Hz

Walk-through mode increases  
savings potential



## Description

Wattstopper's CI-355 passive infrared (PIR) occupancy sensor automatically turns lighting on and off based on occupancy. The sensor mounts on the ceiling with a flat, low-profile appearance and provides 360 degrees of coverage.

## Operation

The CI-355 is line voltage and operates on a single phase at 120, 230, 277 or 347 VAC. The sensor uses passive infrared technology (PIR) to sense occupancy and automatically turn lighting on. PIR works by sensing the difference between infrared energy from a human body in motion and the background space. When no occupancy is detected for the length of the time delay, lighting automatically turns off.

## Features

- Advanced control logic based on RISC micro-controller provides:
  - Detection Signature Processing eliminates false triggers and provides immunity to RFI and EMI
  - Walk-through mode turns lights off 3 minutes after the area is initially occupied – ideal for brief visits such as mail delivery
  - Built-in light level sensor featuring simple, one-step set-up
- Zero-crossing for long relay life
- LED indicates occupancy detection
- DIP switch simplifies sensor adjustments
- Clip mounting system makes ceiling tile installation simple
- Uses existing line voltage wiring and doesn't require a power pack
- Sensor coverage tested to NEMA Guide Publication WD 7-2000

## Time Delay Options

The CI-355 is factory set for a 20 minute time delay, ideal for both energy savings and user satisfaction in most applications. Installers can quickly select other fixed time delays (5, 10, 15 or 30 minutes) via DIP switches. Fixed time delays eliminate the occupant dissatisfaction associated with an automatically adjusted time delay option, and reduce callbacks. Walk-through mode may be enabled for added energy savings in spaces with frequent transient traffic.

## Applications

The CI-355 works well in open office spaces, computer rooms, conference rooms, classrooms, and warehouses. It is a good choice for areas with high ceilings or with two-level lighting. The convenient mounting system keeps installation costs down. It also eliminates the need for a power pack by using line voltage wiring.

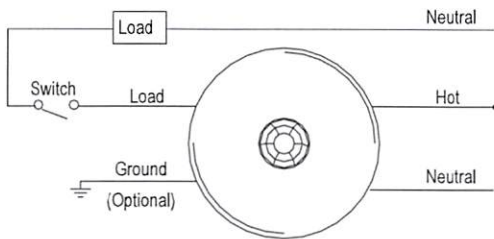
PROJECT		LOCATION/ TYPE	
---------	--	-------------------	--

## Specifications

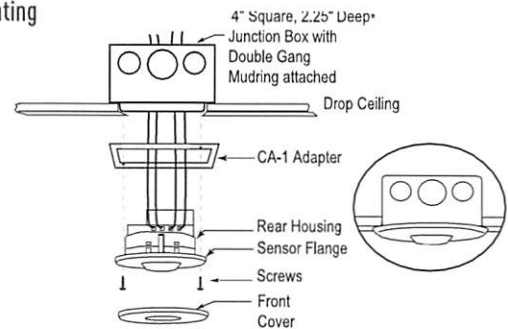
- 120/230 (single phase)/277/347 VAC, 50/60 Hz
- Time delays: 5, 10, 15, 20, or 30 minutes, walk-through, test-mode
- Sensitivity adjustment: PIR (high/low)
- Multi-level, 360° Fresnel lens for superior occupancy detection
- Built-in light level sensor — works from 10 to 300 footcandles (107.6 to 3,229.2 lux)
- Mounting options: 4 square junction box with double gang mudring; 4 inch octagonal j-box
- Dimensions: 4.5" diameter x 1.45" deep (114.3mm x 25.9mm)
- UL and cUL listed
- Five year warranty

## Wiring & Mounting

### Wiring Diagram

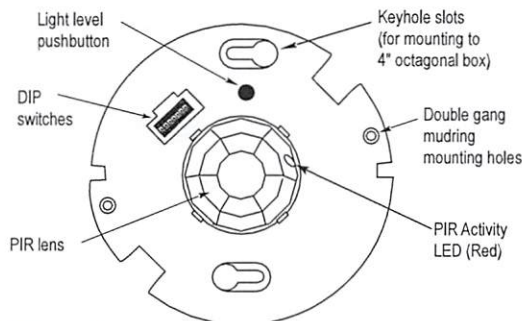


### Ceiling Mounting



## Controls & Settings

### Product Controls



### DIP Switch Settings

Feature	Switch#	1	2	3
Time Delay		1	2	3
Test Mode/20 min		↓	↓	↓
30 seconds		↓	↓	↑
5 minutes		↓	↑	↓
10 minutes		↓	↑	↑
15 minutes		↑	↓	↓
20 minutes		↑	↓	↑
25 minutes		↑	↑	↓
30 minutes		↑	↑	↑

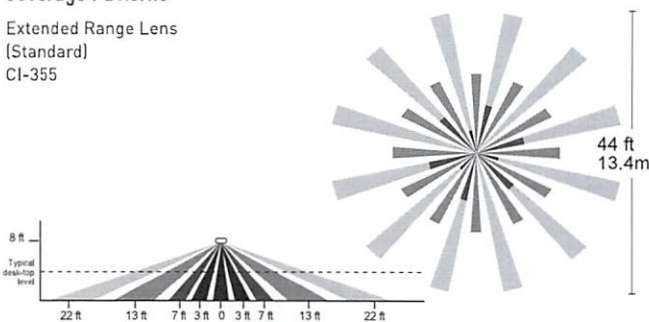
◀ = Factory Setting  
 ▲ = ON  
 ▼ = OFF

Walk-Through	4
Enabled	↑
Disabled	↓
PIR Sensitivity	5
Minimum	↑
Maximum	↓
Service	6
Service	↑
Normal	↓

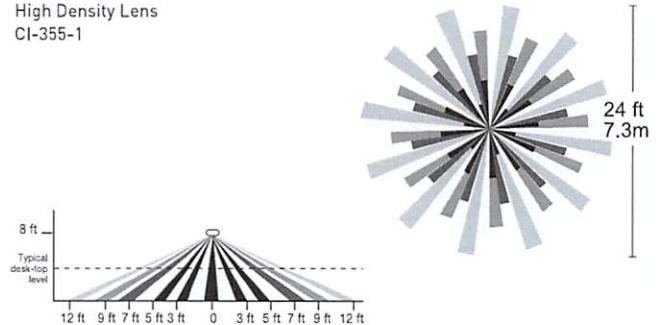
## Coverage

### Coverage Patterns

Extended Range Lens  
(Standard)  
CI-355



High Density Lens  
CI-355-1



## Ordering Information

Catalog #	Voltage	Load Rating	Coverage
<input type="checkbox"/> CI-355	120 VAC, 50/60 Hz 230 VAC (single phase), 50/60 Hz 277 VAC, 50/60 Hz 347 VAC, 50/60 Hz	0-800W Ballast/Tungsten/LED 0-1200W Ballast/LED 0-1500W Ballast/LED	360°; up to 1200 ft <sup>2</sup> (111.5 m <sup>2</sup> )
<input type="checkbox"/> CI-355-1	120 VAC, 50/60 Hz 230 VAC (single phase), 50/60 Hz 277 VAC, 50/60 Hz 347 VAC, 50/60 Hz	0-800W Ballast/Tungsten/LED 0-1200W Ballast/LED 0-1500W Ballast/LED	360°; up to 500 ft <sup>2</sup> (46.5 m <sup>2</sup> )
<input type="checkbox"/> CA-1	Cosmetic adapter for ceiling installations with 4" square j-box or Wiremold #V5752 box		

Sensors are white.

# ULINE H-6509, H-6510 HARD-WIRED EXIT SIGN

1-800-295-5510  
uline.com

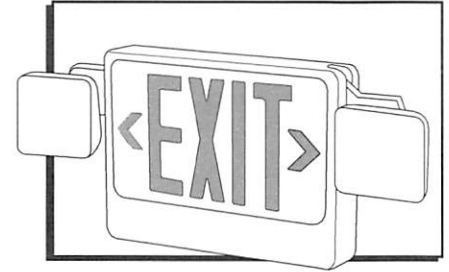
## TOOLS NEEDED



Flathead Screwdriver



Phillips Screwdriver



## SAFETY



**CAUTION!** When using electrical equipment, always follow basic safety precautions, including:

- Do not use outdoors.
- Do not mount near gas or electric heaters.
- Do not let power cords touch hot surfaces.
- Use caution when servicing batteries to avoid possible shorting.
- Mount in locations and at heights where it will not readily be subjected to tampering by unauthorized personnel.
- Use of accessories not recommended by the manufacturer may cause an unsafe condition.
- Do not use this equipment for anything other than intended use.
- Before wiring to AC service, turn off AC power at fuse or circuit breaker.

- Disconnect AC power and unplug battery before servicing.
- Only use specified lamps in the fixture.
- Battery in unit may not be fully charged. After AC service is supplied to unit, let battery charge for at least 24 hours before performing any tests.



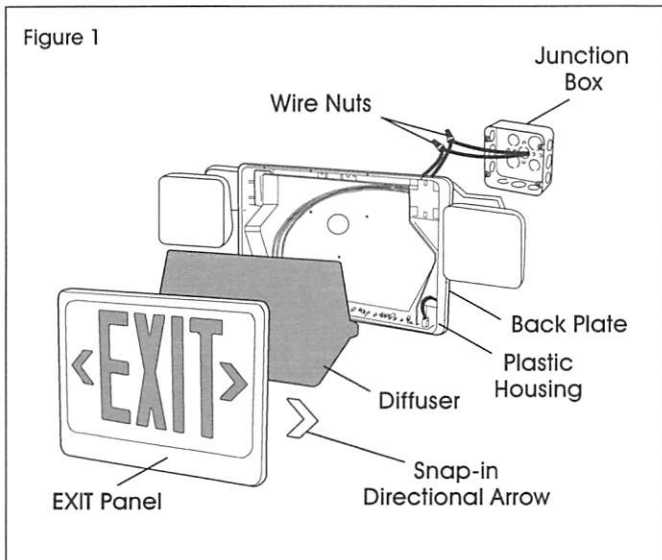
**CAUTION:** Halogen cycle lamps are used in this equipment. To avoid shattering: Do not operate lamp in excess of rated voltage.

- Protect lamp against abrasion and scratches and against liquids when lamp is operating, dispose of lamp with care.
- Halogen cycle lamps operate at high temperatures. Do not store or place flammable materials near lamp.

## INSTALLATION

### BACK MOUNTING

1. Drill 1/4" holes into oblong knock outs on back plate that correspond to junction box holes to be used. (See Figure 1)



2. Feed transformer input leads through center hole and make the proper connections. (See Figures 2-3)

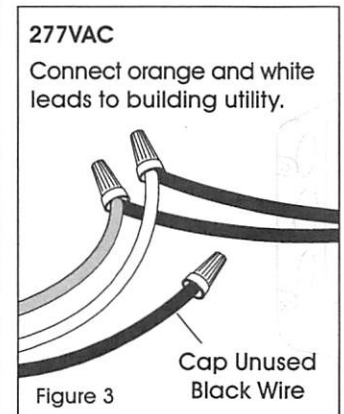
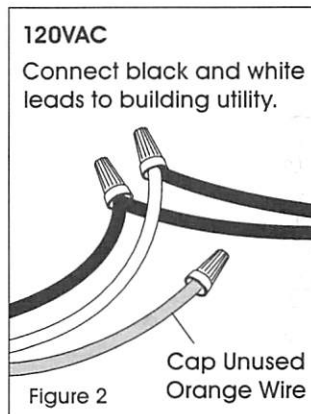


**NOTE:** If using 120VAC, connect black and white leads to building utility.




**NOTE:** If using 277VAC, connect orange and white leads to building utility.

If the unit is self-powered, be sure to snap battery connector together.




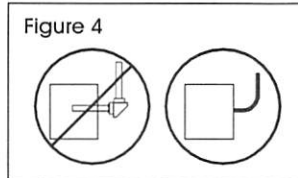


# INSTALLATION CONTINUED

 **NOTE:** In some cases, not all leads will be used. Cap off unused wire.

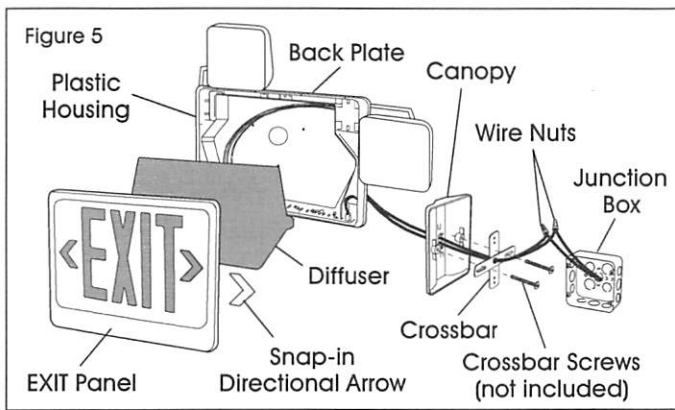
3. Feed excess wire into junction box and secure back plate to junction box. (See Figure 1)
4. Snap in arrows on EXIT panel as required. Then snap EXIT panel to housing: top first, then bottom. (See Figure 1)

 **NOTE:** Use flexible conduit only. (See Figure 4)

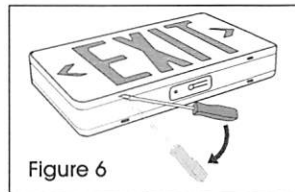


## SIDE MOUNTING


1. Attach crossbar to junction box. Set the crossbar so longer blade is touching junction box. (See Figure 5)



2. Open the EXIT housing. (See Figure 6) Feed the transformer input leads through side hole, being sure to secure wire into wire guides molded at edges of the sign. (See Figure 5)



3. Attach sign to canopy by inserting canopy into sign at an angle, then twisting to secure. (See Figure 5)
4. Feed transformer input leads through center hole and make the proper connections. (See Figures 2-3)

 **NOTE:** If using 120VAC, connect black and white leads to building utility.

 **NOTE:** If using 277VAC, connect orange and white leads to building utility.

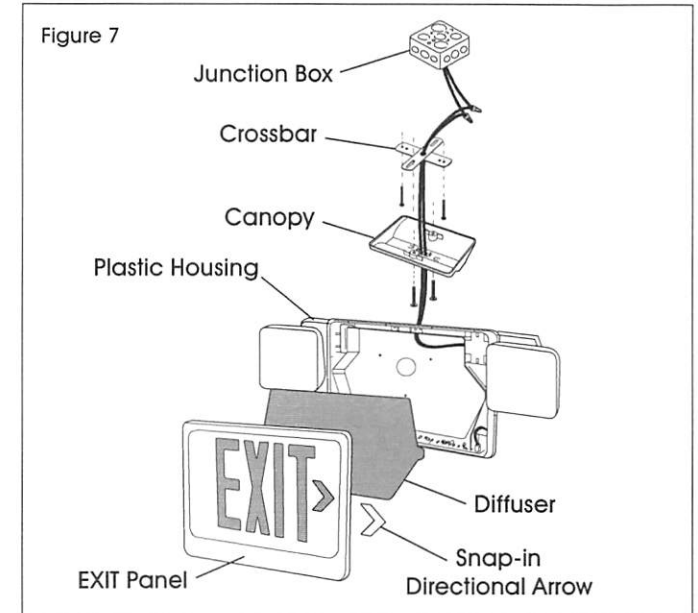
If the unit is self-powered, be sure to snap battery connector together.

5. Feed excess wire into junction box and align holes in canopy with holes in crossbar. Use screws supplied to tighten canopy to crossbar so canopy is securely fastened and tight against wall. (See Figure 5)

6. Snap in arrows to EXIT panel as required. Then snap EXIT panel to housing: top first then bottom.

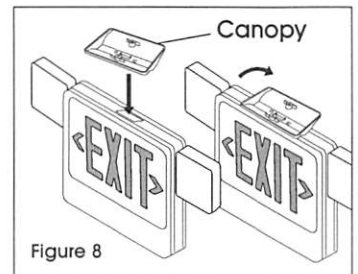
## CEILING MOUNTING

1. Attach crossbar to junction box. Set the crossbar so the longer blade touches junction box. (See Figure 7)




2. Open the EXIT housing. (See Figure 6) Feed the transformer input leads through top hole, being sure to secure wire into wire guides molded at edges of sign.

3. Attach sign to canopy by inserting canopy into sign at an angle. Twist to secure. (See Figure 8)



4. Feed transformer input leads through center hole and make the proper connections. (See Figures 2-3)

 **NOTE:** If using 120VAC, connect black and white leads to building utility.

 **NOTE:** If using 277VAC, connect orange and white leads to building utility.

If the unit is self-powered, be sure to snap battery connector together.

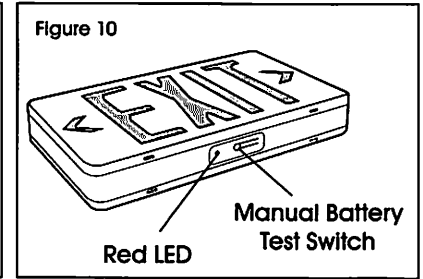
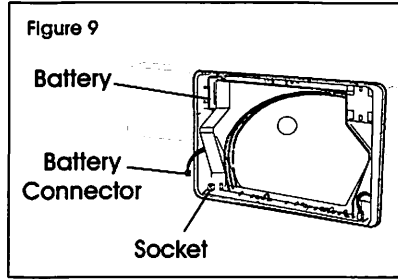
5. Feed excess wire into junction box and align holes in canopy to crossbar so that canopy is securely fastened and tight against the ceiling.
6. Snap in arrows to EXIT panel as required. Then snap EXIT panel to housing: top first, then bottom.

# BATTERY



**CAUTION!** Battery Connector is shipped disconnected. Snap connector into socket at installation. (See Figure 9)

Use Manual Battery Test Switch on base of unit to test. Red LED indicates normal operation. (See Figure 10)



### ELECTRIC TANKLESS COMMERCIAL/RESIDENTIAL

#### DRY-FIRE PROTECTION

- Prevents element failure due to dry fire
- Internal air bypass
- Temporary shutoff with excess air in chamber

#### A WIDE VARIETY OF KW AND VOLTAGE OPTIONS FOR EVERY APPLICATION

- 12.2kW – 32kW
- 208V and 240V options

#### EASY INSTALL

- Mounts easily to the wall
- No venting required
- ¾" NPT water connections
- No T&P valve required (check local codes)

#### CONTINUOUS HOT WATER WHEN SIZED APPROPRIATELY

#### EASY MAINTENANCE

- No moving parts or screens to service
- Elements can be replaced without removing the unit from the wall
- Standard immersion tank-type elements

#### SELF DIAGNOSTICS WITH LEAK DETECTION SHUTDOWN

#### EASILY UNDERSTOOD DIGITAL USER INTERFACE

- Temperature can be adjusted with simple "up" and "down" arrows
- Error codes are clearly displayed

#### SCALE-REDUCTION TECHNOLOGY

- Reduces failures and service requirements due to hard scale buildup
- Power-sharing technology reduces scale deposits on the element
- Dupont™ Zytel® chambers naturally resist scaling buildup

#### COMPACT SIZE TO FREE UP VALUABLE SPACE

#### SOFT START

- Unit will not cause lights to dim with hard electricity draw

#### CODE COMPLIANCE

- Meets current UBC and CEC National Codes
- Meets or exceeds current federal minimum energy standards, according to the National Appliance Energy Conservation Act (NAECA)
- Listed and tested to UL 499 Appliance and UL 834 Space Heating standards
- Control tested to achieve temperature limit control requirements of UL 353 and CSA C22.2

#### 5-YEAR LIMITED WARRANTY

- For complete information, consult the written warranty or go to [hotwater.com](http://hotwater.com)



RESIDENTIAL



COMMERCIAL





# ELECTRIC TANKLESS WATER HEATERS COMMERCIAL/RESIDENTIAL

Model Number	Wattage (kW)	Voltage (V)	Amperage (A)	Recommended Breaker Size	Recommended Wire Size	UEF	Activation GPM	Dimensions (in)			Approx. Shipping Weight (lbs)
								A	B	C	
<b>Residential 2-Chamber Models</b>											
R2VA-140E	14	240	58	1 x 60	6*	0.84	0.25	17 3/4	11 1/2	6 1/8	13
R2VA-140X	14	208	67	2 x 40	8	0.84	0.25	17 3/4	11 1/2	6 1/8	13
R2VA-160E	16	240	67	2 x 40	8	0.84	0.25	17 3/4	11 1/2	6 1/8	13
<b>Residential 4-Chamber Models</b>											
R4LA-180E	18	240	75	2 x 40	8	0.92	0.25	18 1/8	17	6 1/8	20
R4LA-220E	22	240	92	2 x 50	6*	0.92	0.25	18 1/8	17	6 1/8	20
R4LA-240E	24	240	100	2 x 60	6*	0.92	0.25	18 1/8	17	6 1/8	20
R4LA-280E	28	240	117	2 x 60	6*	0.92	0.25	18 1/8	17	6 1/8	20
R4LA-280X	28	208	135	2 x 70	6*	0.92	0.25	18 1/8	17	6 1/8	20
R4MA-320E	32	240	133	2 x 70	6*	0.93	0.25	18 1/8	17	6 1/8	20

Model Number	Wattage (kW)	Voltage (V)	Amperage (A)	Recommended Breaker Size	Recommended Wire Size	UEF	Activation GPM	Dimensions (in)			Approx. Shipping Weight (lbs)
								A	B	C	
<b>Commercial 2-Chamber</b>											
C2VA-120E	12.2	240	51	1 x 60	6*	0.84	0.25	17 3/4	11 1/2	6 1/8	13
C2VA-140E	14	240	58	1 x 60	6*	0.84	0.25	17 3/4	11 1/2	6 1/8	13
C2VA-140X	14	208	67	2 x 40	8	0.84	0.25	17 3/4	11 1/2	6 1/8	13
C2VA-160E	16	240	67	2 x 40	8	0.84	0.25	17 3/4	11 1/2	6 1/8	13
<b>Commercial 4-Chamber</b>											
C4LA-180E	18	240	75	2 x 40	8	0.92	0.25	18 1/8	17	6 1/8	20
C4LA-220E	22	240	92	2 x 50	6*	0.92	0.25	18 1/8	17	6 1/8	20
C4LA-280E	28	240	117	2 x 60	6*	0.92	0.25	18 1/8	17	6 1/8	20
C4LA-280X	28	208	135	2 x 70	6*	0.92	0.25	18 1/8	17	6 1/8	20
C4MA-320E	32	240	133	2 x 70	6*	0.93	0.25	18 1/8	17	6 1/8	20

GPM AT TEMPERATURE RISE													
	20°	25°	30°	35°	40°	45°	50°	55°	60°	65°	70°	75°	80°
12.2 kW	4.2	3.3	2.8	2.4	2.1	1.9	1.7	1.5	1.4	1.3	1.2	1.1	1.0
14 kW	4.8	3.8	3.2	2.7	2.4	2.1	1.9	1.7	1.6	1.5	1.4	1.3	1.2
16 kW	5.5	4.4	3.6	3.1	2.7	2.4	2.2	2.0	1.8	1.7	1.6	1.5	1.4
18 kW	6.1	4.9	4.1	3.5	3.1	2.7	2.5	2.2	2.0	1.9	1.8	1.6	1.5
22 kW	7.5	6.0	5.0	4.3	3.8	3.3	3.0	2.7	2.5	2.3	2.1	2.0	1.9
24 kW	8.2	6.6	5.5	4.7	4.1	3.6	3.3	3.0	2.7	2.5	2.3	2.2	2.0
28 kW	9.6	7.6	6.4	5.5	4.8	4.2	3.8	3.5	3.2	2.9	2.7	2.5	2.4
32 kW	10.9	8.7	7.3	6.2	5.5	4.9	4.4	4.0	3.6	3.4	3.1	2.9	2.7

Dimensions and specifications are subject to change without notice in accordance with our policy of continuous product improvement.

Temperature Range: 90° - 140°F.

Recommended that all wire be rated 90°C or greater.

Factory set point is 120°F. This can easily be changed in the field as needed or desired.

Refer to National Electric Code Article 220 for calculating load contribution.

240V models can run on 208V with 25% reduced power output.

Refer to local code where applicable.

\* Maximum recommended wire size is #6 cu AWG.



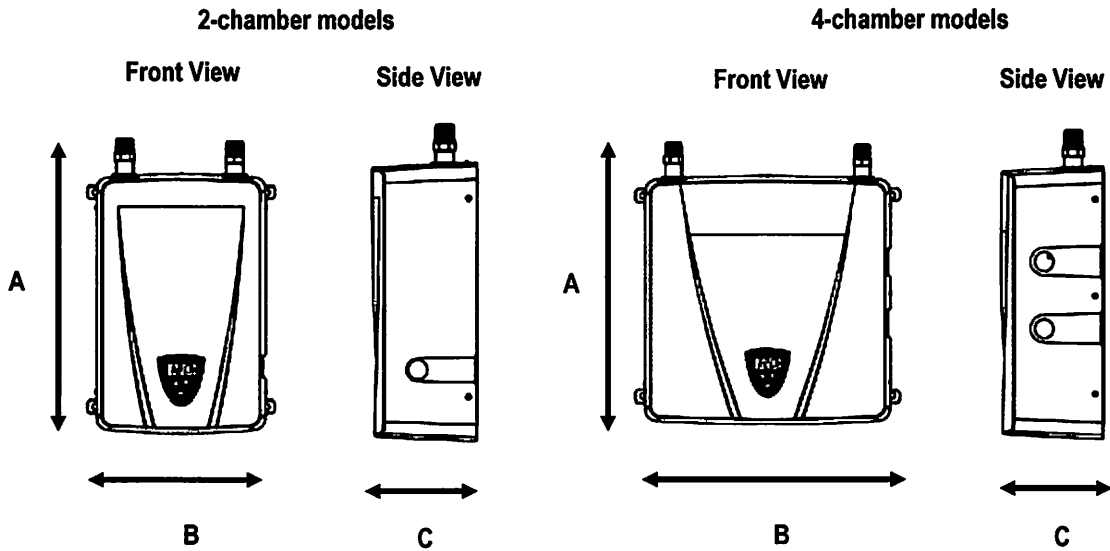
# ELECTRIC TANKLESS WATER HEATERS COMMERCIAL/RESIDENTIAL

## SPACE HEATING APPLICATIONS

Model	Wattage (kW)	Voltage (V)	Amp Load (A)	Recommended Breaker Size	Recommended Wire Size	Activation GPM	BTU Equivalent	Dimensions (in)			Approx Shipping Weight (lbs)
								A	B	C	
<b>Residential 2-Chamber</b>											
R2VA-140X	14	208	85	2 x 50	6**	0.25	47,768	17 3/4	11 1/2	6 1/8	13
R2VA-160E	16	240	84	2 x 50	6**	0.25	54,592	17 3/4	11 1/2	6 1/8	13
<b>Residential 4-Chamber</b>											
R4LA-180E	18	240	94	2 x 50	6**	0.25	61,416	18 1/8	17	6 1/8	20
R4LA-220E	22	240	115	2 x 60	6**	0.25	75,064	18 1/8	17	6 1/8	20
R4LA-240E	24	240	125	2 x 70	6**	0.25	81,888	18 1/8	17	6 1/8	20

Model	Wattage (kW)	Voltage (V)	Amp Load (A)	Recommended Breaker Size	Recommended Wire Size	Activation GPM	BTU Equivalent	Dimensions (in)			Approx Shipping Weight (lbs)
								A	B	C	
<b>Commercial 2-Chamber</b>											
C2VA-120E	12.2	240	64	1 x 70	6**	0.25	41,626	17 3/4	11 1/2	6 1/8	13
C2VA-140X	14	208	85	2 x 50	6**	0.25	47,768	17 3/4	11 1/2	6 1/8	13
C2VA-160E	16	240	84	2 x 50	6**	0.25	54,592	17 3/4	11 1/2	6 1/8	13
<b>Commercial 4-Chamber</b>											
C4LA-180E	18	240	94	2 x 50	6**	0.25	61,416	18 1/8	17	6 1/8	20
C4LA-220E	22	240	115	2 x 60	6**	0.25	75,064	18 1/8	17	6 1/8	20

Space heating application requires continuous load calculation. Breaker and wire sizes are different from domestic hot water use.



For technical information, call 800-527-1953. A. O. Smith Corporation reserves the right to make product changes or improvements without prior notice.



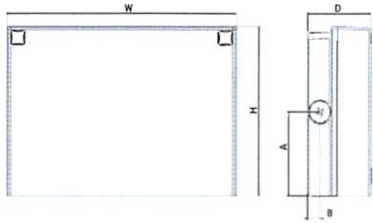
# WPX LED Wall Packs



Catalog Number
Notes
Type

Click the 3D icon at the bottom of this page to see all interactive elements.

## Specifications



Front View

Side View

Luminaire	Height (H)	Width (W)	Depth (D)	Side Conduit Location		Weight
				A	B	
WPX1	8.1" (20.6 cm)	11.1" (28.3 cm)	3.2" (8.1 cm)	4.0" (10.3 cm)	0.6" (1.6 cm)	6.1 lbs (2.8kg)
WPX2	9.1" (23.1 cm)	12.3" (31.1 cm)	4.1" (10.5 cm)	4.5" (11.5 cm)	0.7" (1.7 cm)	8.2 lbs (3.7kg)
WPX3	9.5" (24.1 cm)	13.0" (33.0 cm)	5.5" (13.7 cm)	4.7" (12.0 cm)	0.7" (1.7 cm)	11.0 lbs (5.0kg)

## Introduction

The WPX LED wall packs are energy-efficient, cost-effective, and aesthetically appealing solutions for both HID wall pack replacement and new construction opportunities. Available in three sizes, the WPX family delivers 1,550 to 9,200 lumens with a wide, uniform distribution.

The WPX full cut-off solutions fully cover the footprint of the HID glass wall packs that they replace, providing a neat installation and an upgraded appearance. Reliable IP66 construction and excellent LED lumen maintenance ensure a long service life. Photocell and emergency egress battery options make WPX ideal for every wall mounted lighting application.

## Ordering Information

EXAMPLE: WPX2 LED 40K MVOLT DDBXD

Series	Color Temperature	Voltage	Options	Finish
WPX1 LED P1	1,550 Lumens, 11W <sup>1</sup>	30K 3000K	MVOLT 120V - 277V	(blank) None
WPX1 LED P2	2,900 Lumens, 24W	40K 4000K	347 347V <sup>3</sup>	E4WH Emergency battery backup, CEC compliant (4W, 0°C min) <sup>2</sup>
WPX2 LED	6,000 Lumens, 47W	50K 5000K		E14WC Emergency battery backup, CEC compliant (14W, -20°C min) <sup>2</sup>
WPX3 LED	9,200 Lumens, 69W			PE Photocell <sup>3</sup>
				DDBXD Dark bronze DWHXD White DBLBXD Black Note: For other options, consult factory.

Note: The lumen output and input power shown in the ordering tree are average representations of all configuration options. Specific values are available on request.

### NOTES

- All WPX wall packs come with 6kV surge protection standard, except WPX1 LED P1 package which comes with 2.5kV surge protection standard. Add SPD6KV option to get WPX1 LED P1 with 6kV surge protection.  
Sample nomenclature: WPX1 LED P1 40K MVOLT SPD6KV DDBXD
- Battery pack options only available on WPX1 and WPX2.
- Battery pack options not available with 347V and PE options.

## FEATURES & SPECIFICATIONS

### INTENDED USE

The WPX LED wall packs are designed to provide a cost-effective, energy-efficient solution for the one-for-one replacement of existing HID wall packs. The WPX1, WPX2 and WPX3 are ideal for replacing up to 150W, 250W, and 400W HID luminaires respectively. WPX luminaires deliver a uniform, wide distribution.

### CONSTRUCTION

WPX feature a die-cast aluminum main body with optimal thermal management that both enhances LED efficacy and extends component life. The luminaires are IP66 rated, and sealed against moisture or environmental contaminants.

### ELECTRICAL

Light engine(s) configurations consist of high-efficacy LEDs and LED lumen maintenance of L90/100,000 hours. Color temperature (CCT) options of 3000K, 4000K and 5000K with minimum CRI of 70. Electronic drivers ensure system power factor >90% and THD <20%. All luminaires have 6kV surge protection (Note: WPX1 LED P1 package comes with a standard surge protection rating of 2.5kV. It can be ordered with an optional 6kV surge protection). All photocell (PE) operate on MVOLT (120V - 277V) input.

Note: The standard WPX LED wall pack luminaires come with field-adjustable drive current feature. This feature allows tuning the output current of the LED drivers to adjust the lumen output (to dim the luminaire).

### INSTALLATION

WPX can be mounted directly over a standard electrical junction box. Three 1/2 inch conduit ports on three sides allow for surface conduit wiring. A port on the back surface allows poke-through conduit wiring on surfaces that don't have an electrical junction box. Wiring can be made in the integral wiring compartment in all cases. WPX is only recommended for installations with LEDs facing downwards.

### LISTINGS

CSA Certified to meet U.S. and Canadian standards. Suitable for wet locations. IP66 Rated. DesignLights Consortium® (DLC) qualified product. Not all versions of this product may be DLC qualified. Please check the DLC Qualified Products List at [www.designlights.org/QPL](http://www.designlights.org/QPL) to confirm which versions are qualified. International Dark Sky Association (IDA) Fixture Seal of Approval (FSA) is available for all products on this page utilizing 3000K color temperature only.

### WARRANTY

5-year limited warranty. Complete warranty terms located at: [www.acuitybrands.com/CustomResources/Terms\\_and\\_conditions.aspx](http://www.acuitybrands.com/CustomResources/Terms_and_conditions.aspx).

Note: Actual performance may differ as a result of end-user environment and application. All values are design or typical values, measured under laboratory conditions at 25°C. Specifications subject to change without notice.



## Performance Data

### Electrical Load

Luminaire	Input Power (W)	120V	208V	240V	277V	347V
WPX1 LED P1	11W	0.09	0.05	0.05	0.04	0.03
WPX1 LED P2	24W	0.20	0.12	0.10	0.09	0.07
WPX2	47W	0.39	0.23	0.20	0.17	0.14
WPX3	69W	0.58	0.33	0.29	0.25	0.20

### Projected LED Lumen Maintenance

Data references the extrapolated performance projections in a 25°C ambient, based on 6,000 hours of LED testing (tested per IESNA LM-80-08 and projected per IESNA TM-21-11).

To calculate LLF, use the lumen maintenance factor that corresponds to the desired number of operating hours below. For other lumen maintenance values, contact factory.

Operating Hours	50,000	75,000	100,000
Lumen Maintenance Factor	>0.94	>0.92	>0.90

### Lumen Output

Luminaire	Color Temperature	Lumen Output
WPX1 LED P1	3000K	1,537
	4000K	1,568
	5000K	1,602
WPX1 LED P2	3000K	2,748
	4000K	2,912
	5000K	2,954
WPX2	3000K	5,719
	4000K	5,896
	5000K	6,201
WPX3	3000K	8,984
	4000K	9,269
	5000K	9,393

### Lumen Ambient Temperature (LAT) Multipliers

Use these factors to determine relative lumen output for average ambient temperatures from 0-50°C (32-122°F).

Ambient	Ambient	Lumen Multiplier
0°C	32°F	1.05
5°C	41°F	1.04
10°C	50°F	1.03
15°C	59°F	1.02
20°C	68°F	1.01
25°C	77°F	1.00
30°C	86°F	0.99
35°C	95°F	0.98
40°C	104°F	0.97

### HID Replacement Guide

Luminaire	Equivalent HID Lamp	WPX Input Power
WPX1 LED P1	100W	11W
WPX1 LED P2	150W	24W
WPX2	250W	47W
WPX3	400W	69W

### Emergency Egress Battery Packs

The emergency battery backup is integral to the luminaire — no external housing or back box is required. The emergency battery will power the luminaire for a minimum duration of 90 minutes and deliver minimum initial output of 550 lumens. Both battery pack options are CEC compliant.

Battery Type	Minimum Temperature Rating	Power (Watts)	Controls Option	Ordering Example
Standard	0°C	4W	E4WH	WPX2 LED 40K MVOLT E4WH DDBXD
Cold Weather	-20°C	14W	E14WC	WPX2 LED 40K MVOLT E14WC DDBXD

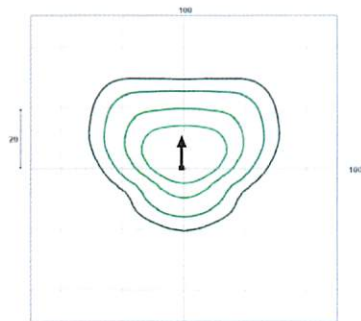
## Photometric Diagrams

To see complete photometric reports or download .ies files for this product, visit the Lithonia Lighting [WPX LED](#) homepage. Tested in accordance with IESNA LM-79 and LM-80 standards

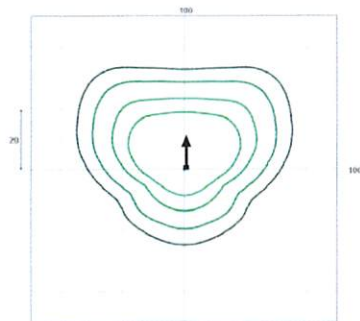
#### LEGEND

	0.1 fc
	0.2 fc
	0.5 fc
	1.0 fc

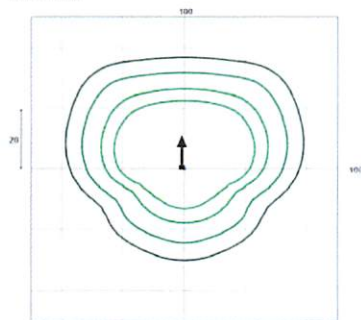
WPX1 LED P1



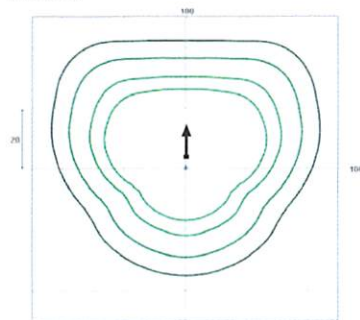
WPX1 LED P2



WPX2 LED



WPX3 LED



Mounting Height = 12 Feet.

**PART-1 GENERAL**

## 1.01 DESCRIPTION

- A. Plastic compartment work includes the following:
  - 1. Floor anchored/overhead braced partitions
- B. Furnish all labor and materials necessary for the completion of work in this section as shown on the contract drawings and specified herein.
- C. Work in this section shall include, but is not limited to:
  - 1. Toilet compartments.
  - 2. Hardware for toilet compartments and plastic partitions.
  - 3. Shop drawings and working drawings.
  - 4. Manufacturer's guarantee.
- D. Related work specified elsewhere shall include accessories and anchorage/blocking for attachment of compartments.

**FLOOR ANCHORED OVERHEAD BRACED**

Date Issued 01-17

## 1.02 PRODUCTS

- A. Submit six sets of shop drawings and details for architect's approval
- B. Color shall be selected from the manufacturer's standard range of colors:
- C. Color and hardware samples shall be submitted for approval to the architect upon request.

**PART-2 PRODUCTS**

## 2.01 MANUFACTURER

- A. Toilet compartments to be supplied by GLOBAL Partitions, Eastanollee, GA 30538.

## 2.02 MATERIALS

- A. Doors, panels and pilasters to be 1" thick with homogeneous color throughout, constructed from high density polyethylene (HDPE) resins, which are, waterproof non-absorbent and have a self-lubricating surface that resists markings from pens, pencils and other writing instruments.

## 2.03 CONSTRUCTION

- A. Doors, panels and pilasters shall be 1" thick with uniformly machined edges.
- B. Doors and panels shall be 55" high and mounted at 14" above the finished floor.
- C. Doors and panels to have an extruded aluminum heat sink strip attached to the lower edge.
- D. Pilasters shall be 81-1/2" high finished height. Pilasters shall include a mounting system comprised of a one piece 304 stainless steel with #4 finish 3" high shoe with an integral plate in the bottom. The shoe shall be mounted to the floor utilizing concrete anchors supplied by Global Partitions. The concrete anchors shall be driven through the plate affixing it to the concrete floor. The concrete anchors shall have 2700lbs of holding strength when used in 5000psi concrete flooring. The pilaster height shall be adjusted by utilizing the machine thread bolt supplied which is placed into a metal insert installed in the bottom of the pilaster at the manufacturing facility.
- E. Pilasters are overhead braced with an extruded anti-grip aluminum headrail.

## 2.04 HARDWARE (Note: Refer to the ORDER INFORMATION CONTRACT for the specific hardware to be supplied on your order.)

- A. Door hardware shall be as noted:
  - 1. Heavy-duty diecast (vault) zamac hinge shall have gravity-acting cams and are fabricated from a die cast aluminum alloy with a brushed finish and wrap around flanges. The cam is constructed from a 3/4" diameter nylon rod and a 3/8" stainless steel pin. Slide latch, strike/keeper and hinges are through-bolted onto doors and pilasters using stainless steel vandal-resistant through bolts. Hinges are easily adjusted at the jobsite to a full close or partially open position, as required. Keeper provides for emergency access into the stall by lifting up on the bottom of the door.
  - 2. Optional: Heavy-duty 8" aluminum hinge shall have gravity-acting cam. Slide latch, strike/keeper and hinges are through bolted onto doors and pilasters using stainless steel, vandal-resistant through bolts. Keeper provides for emergency access into the stall by lifting up on the bottom of the door
  - 3. Optional: Continuous stainless steel hinge. Slide latch, strike/keeper and hinges are through bolted onto doors and pilasters using stainless steel, vandal-resistant through bolts.
  - 4. Optional: Integral hinges shall be fabricated into the door and the pilaster with no exposed metal parts. The hinge mechanism is integrated into the door and pilaster with a 1/2" diameter nylon gravity cam unit with a 3/16" stainless steel center pin (at bottom) and a 1/2" nylon rod (at top). Integral hinges are not factory set and are installed at the job site. (NOTE: Pilaster must be a minimum of 5" wide.) Slide latch and strike/keeper are through bolted onto doors and pilasters using stainless steel vandal-resistant through bolts.
- B. Panel and pilaster brackets shall be as noted:
  - 1. Aluminum stirrup brackets shall be 2" long made of heavy-duty anodized extruded aluminum (6063-T5 Alloy). Stirrup brackets shall be 1/8" thick and mounted with stainless steel, vandal-resistant screws. Panels shall be attached with stainless steel, vandal-resistant through bolts. The attachment of brackets to the adjacent wall construction shall be accomplished with 2 1/2" stainless steel vandal-resistant screws and plastic anchors.
  - 2. Optional: Continuous heavy duty anodized extruded aluminum (6063-T5 alloy) wall brackets are pre-drilled. Wall brackets are mounted with stainless steel, vandal-resistant screws. The attachment of brackets to the adjacent wall construction shall be accomplished with 2 1/2" stainless steel vandal resistant screws and plastic anchors.
  - 3. Optional: Continuous heavy duty stainless steel wall brackets are pre-drilled. Wall brackets are mounted with stainless steel, vandal-resistant screws. The attachment of brackets to the adjacent wall construction shall be accomplished with 2 1/2" stainless steel vandal resistant screws and plastic anchors.
- C. Pilaster shoes shall be of a one piece design and integral to the mounting system and formed from #304 stainless steel 3" high with a #4 satin finish. Pilaster shoes are anchored to the pilaster with #10 stainless steel, vandal-resistant screws.
- D. Headrail shall be made of heavy-duty anodized extruded aluminum (6063-T5 alloy). Headrail is anti-grip and attaches to the top of the pilaster with stainless steel, tamper-resistant screws. Headrail is attached to the adjacent wall construction with a headrail bracket.
- E. Headrail brackets shall be made from a die cast aluminum alloy and shall be attached to the adjacent wall construction with 2 1/2" stainless steel, tamper-resistant screws and plastic anchors.



**PART-3 EXECUTION**

**3.01 PREPARATION**

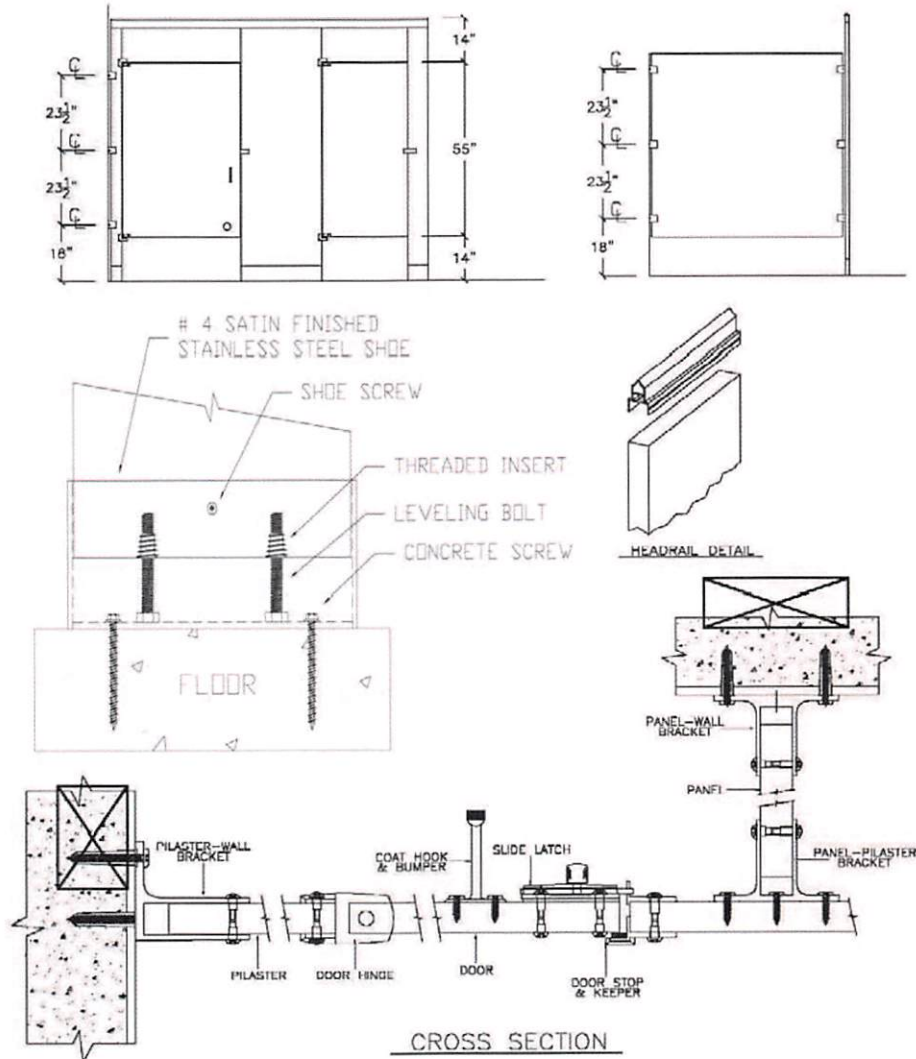
- A. Examine areas to receive toilet compartments for correct height and spacing of anchorage/blocking and plumbing fixtures that may affect installation of compartments. Report any discrepancies to the architect.
- B. Take complete and accurate measurements of toilet compartment locations.
- C. Start of work constitutes acceptance of job.

**3.02 INSTALLATION**

- A. Install compartments in a rigid, straight, plumb and level manner, with steel laid out as shown on the shop drawings and manufacturer's installation instructions.
- B. All doors and panels to be mounted at 14" above the finished floor.
- C. Clearance at vertical edges of door shall be uniform top to bottom.
- D. No evidence of cutting, drilling and/or patching shall be visible on the finished work.
- E. Finished surfaces shall be cleaned after installation and be left free of all imperfections.

**3.03 WARRANTY**

- A. GLOBAL Partitions guarantees its plastic against breakage, corrosion and delamination for 15 years from the date of receipt by the customer. If materials are found defective during that period for the reasons listed above, the materials will be replaced free of charge. No credits or allowances will be issued for any labor or expenses relating to the replacement of components covered under the warranty plan. All such expenses are to be borne by the buyer.





# ARMORSEAL® 8100

## Water Based Epoxy Floor Coating

ArmorSeal® 8100 is the next generation in water based epoxy floor coatings; a two-component polyamine epoxy with excellent chemical and abrasion resistance that is breathable. A LEED 4.2 compliant material that offers improved performance while maintaining ease of application.

### Features

- Breathable
- Polyamine Epoxy
- 5+ Hour Potlife
- <50 g/L VOC Level
- Gloss or Satin Finish
- Water Based
- Apply Direct To Concrete/Damp Concrete

### Benefits

- Resists Disbondment From Moisture Vapor
- Excellent Chemical & Abrasion Resistance
- Application Friendly
- Compliant to LEED 4.2
- Final Appearance Options
- Ease of Application and Clean Up
- No Primer Required, Tolerant of Moisture

### Recommended Uses

- Industrial Floors
- Warehouse Floors
- Automotive Showrooms
- Bathrooms
- Laboratories
- Assembly & Production Areas
- Commercial Buildings
- Schools
- Hospitals
- Offices
- Retail Facilities
- USDA Inspected Areas



## Product Characteristics

**Finish:** Gloss or Satin  
**Color:** Clear\*, Tile Red, Deck Gray, Haze Gray and a wide range of tinted colors using CCE colorants  
 Safety Colors Gloss only  
 \*For clear use UltraDeep Base  
**Volume Solids:** 41% ± 2%, mixed, may vary by color  
**Weight Solids:** 50% ± 2%, mixed, may vary by color  
**VOC (EPA Method 24):** <50 g/L; 2.8 lb/gal, mixed  
**Mix Ratio:** 4:1 by volume

### Recommended Spreading Rate per coat:

	Minimum	Maximum
<b>Wet mils (microns)</b>	<b>5.0</b> (125)	<b>10.0</b> (250)
<b>Dry mils (microns)</b>	<b>2.0</b> (50)	<b>4.0</b> (100)
<b>~Coverage sq ft/gal (m<sup>2</sup>/L)</b>	<b>160</b> (4.1)	<b>320</b> (8.1)
<b>Theoretical coverage sq ft/gal (m<sup>2</sup>/L) @ 1 mil / 25 microns dft</b>	<b>656</b> (16.0)	

*NOTE: Brush or roll application may require multiple coats to achieve maximum film thickness and uniformity of appearance.*

### Drying Schedule @ 7.0 mils wet (175 microns):

	@ 50°F/10°C	@ 77°F/25°C 50% RH	@ 120°F/49°C
<b>To touch:</b>	1 hour	45 minutes	25 minutes
<b>To recoat*:</b>			
<b>minimum:</b>	8 hours	6 hours	3 hours
<b>maximum:</b>	30 days	30 days	30 days
<b>Foot Traffic:</b>		18 hours	
<b>Heavy Traffic:</b>		48 hours	
<i>Drying time is temperature, humidity, and film thickness dependent.</i>			
*If recoating after 30 days, abrade surface first.			
<b>Pot Life:</b>	8 hours	5+ hours	3½ hours
<b>Sweat-in-Time:</b>	None	None	None

<b>Shelf Life:</b>	Part A: 24months, unopened Part B: 36 months Store indoors at 40°F (4.5°C) to 100°F (38°C)
<b>Flash Point:</b>	>230°F (110°C), Seta Flash, mixed
<b>Reducer/Clean Up:</b>	Water

## Performance Characteristics

**Substrate\*:** Concrete  
**Surface Preparation\*:** Clean, dry, sound  
**System Tested\*:**  
 2 cts. ArmorSeal 8100 @ 2.0 - 4.0 mils (50-100 microns) dft

Test Name	Test Method	Results
<b>Abrasion Resistance</b>	ASTM D4060, CS17 wheel, 1000 cycles, 1 kg load	150 mg loss
<b>Adhesion</b>	ASTM D4541	550 psi concrete
<b>Finish</b>	Satin Gloss	15-25 units@ 85° 90+ units @ 60°
<b>Flexibility</b>	ASTM D 522	180° bend 1/8" mandrel
<b>Impact Resistance</b>	ASTM D2794	Direct 100 in.lb. Indirect 80 in.lb.
<b>Pencil Hardness</b>	ASTM D3363	H
<b>WVP Perms (US)</b>	Grains(hr ft <sup>2</sup> in Hg)	Gloss – 2.0 Satin – 5.0

**A complete line of products. Market expertise. On-time distribution.**

**What else would you expect from a world leader in protective coatings, linings and fire protection?**

It starts with a complete line of time-tested, high-performance products and some of the most innovative technologies in the coatings industry. But we know that it takes more than product alone to be a world leader in protective coatings and linings. And so do the customers that rely on us every day as we help them protect their business.

That's where nearly 150 years of coatings industry experience comes in. Add to that a NACE-trained workforce with a combined 3,700 years of experience in corrosion control. The market-specific knowledge that our experts provide to evaluate, recommend and deliver the highest-performance coatings and linings that protect our customers' assets.

It also means that we deliver on time, every time from 4,000 company-owned distribution points worldwide. Leave nothing to chance. Your single source of supply. Sherwin-Williams.



**To learn more, visit us at**

www.sherwin-williams.com/protective  
 or call 1-800-524-5979  
 to have a representative contact you.

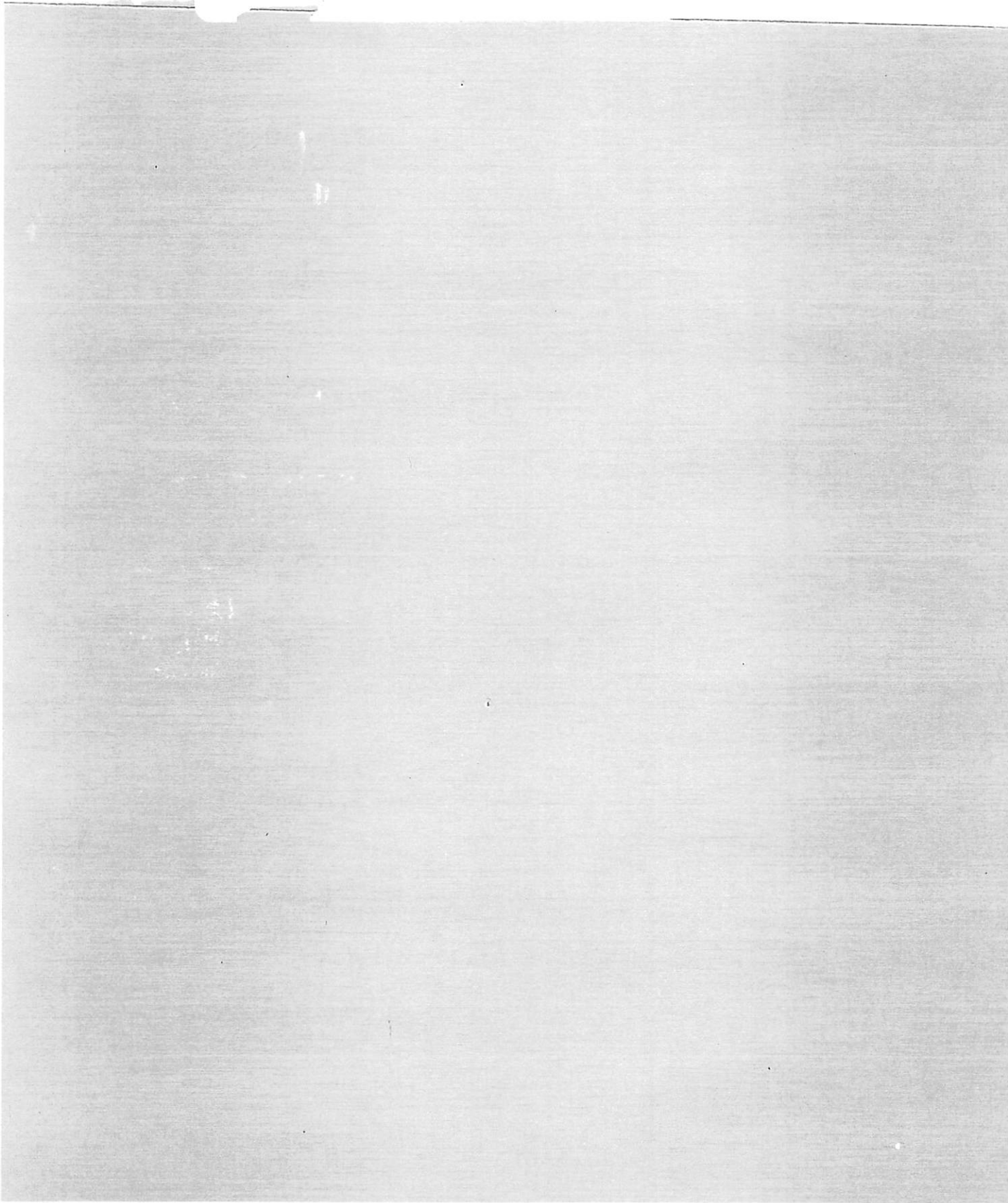
**Kim Armstrong**

Manager Marketing Communications  
 +1 216-515-4739  
 klarmstrong@sherwin.com

Customer: CENTRAL COAST ENGINEERING  
Store CCN: 708532 SALINAS. CA  
Date Prepared: 08/12/2020 Control Number: 0139436-001

Job:  
Project Info:  
Schedule:

Color: SW 0055 LIGHT FRENCH GRAY  
Product: COLOR TO GO I SATIN A91W00451



Customer: CENTRAL COAST ENGINEERING  
Store CCN: 708532 SALINAS. CA  
Date Prepared: 08/12/2020 Control Number: 0139436-002

Job:  
Project Info:  
Schedule:

Color: SW 0077 CLASSIC FRENCH GRAY  
Product: COLOR TO GO I SATIN A91W00453

