

# Fail-Safe

## DESCRIPTION

The Fail-Safe FMSLED combines maximum security construction features with energy saving technology. This surface mounted luminaire utilizes a one-piece housing, security lensing and tamper-resistant fasteners to maximize impact resistance and prevent contraband concealment and unauthorized fixture penetration. ETL listed for damp locations; optional wet location under covered ceiling. The FMSLED is ideal for confinement/security applications. Suitable for use in inmate cells, psychiatric wards, secure corridors and general population areas.

<b>Catalog #</b>		<b>Type</b>
<b>Project</b>		
<b>Comments</b>		<b>Date</b>
<b>Prepared by</b>		

## SPECIFICATION FEATURES

### Fasteners

Stainless steel tamper-resistant T20 TORX® screws with center pin reject are standard. Allen-head screws with center pin reject optional.

### Housing

Die-formed 12-18 ga. CRS body with continuous welded and ground ends to form a one-piece, seamless housing for maximum impact resistance and prevention of unauthorized fixture penetration.

### Finish

High gloss, electrostatically applied, white powder coat finish, average minimum reflectance 92%.

### Hinge

Continuous, stainless steel piano hinge (1/4" diameter knuckle) with welded pin end to prevent removal.

### Door

One-piece, CRS door frame with die-formed edges and tightly closed corners increases rigidity. Door gauge to match housing.

### Light Mask

Black fixture gasket prevents light leaks.

### Lens

Choice of prismatic acrylic, prismatic polycarbonate or prismatic tempered glass on fixture side, clear polycarbonate or clear tempered glass on environmental side. See Lens Options.

### LEDs

Available in 3000K, 3500K, 4000K and 5000K with minimum of 80CRI. Projected life is 50,000 hours at 70% lumen maintenance.

### Lens Retention

Lens secured by thru-studs and vertically adjustable internal CRS hold-downs.

### Transformer/Driver

Electronic driver 120-277V. 0-10V dimming standard.

### Labels

ETL listed for damp locations. Wet location under covered ceiling optional.

### Warranty

Five year warranty on LED's and electrical.



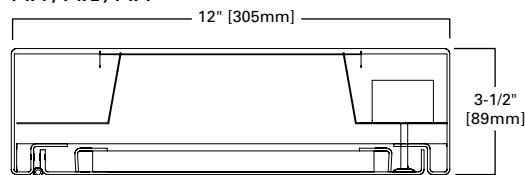
## FMS LED

### LD4 LED

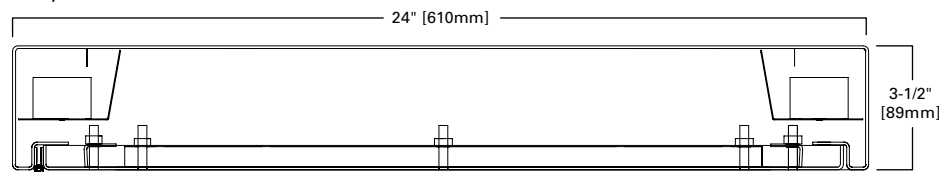
1' Width  
2' Width  
Confinement/Correctional

Surface

1' x 1', 1' x 2', 1' x 4'



2' x 2', 2' x 4'



ORDERING INFORMATION

SAMPLE NUMBER: FMS-X24-4-LD4-4STD-40-UNV-80/86-EDC1 or FMS-S12-2-LD4-2HI-50-277-82/87-EDC1-EL10W

Product Family	Door	Width	Length	LED	No. of LED	Illumination Level	Color Temp.	Voltage	Inner / Outer Lens	Driver	No. of Circuits	Options	Accessories
<b>FMS</b>				<b>LD4</b>					/				
<b>FMS</b> S=12 ga. (Ultimax) X=14 ga. (Maximum) D=16 ga. (Medium) N=18 ga. (Minimum)				<b>UNV=120-277V</b> 120=120V 277=277V				1=1 Circuit 2=2 Circuits 3=3 Circuits 4=4 Circuits					
24=24" Wide 12=12" Wide				<b>Lens Type</b> <b>Inner Layer (optional)</b> 90=0.005 UV Absorbing Overlay <b>Fixture Side</b> 80=0.125 Prismatic Acrylic 81=0.156 Prismatic Polycarbonate 82=0.187 Prismatic Polycarbonate 93=0.156 Prismatic Tempered Glass				EL7W=Emergency Battery <sup>2</sup> Pack, 7W Output EL10W=Emergency Battery <sup>2,3</sup> Pack, 10W Output EL14W=Emergency Battery <sup>2</sup> Pack, 14W Output LLNL=Linear LED Night Light, Dimmable <sup>4,5</sup> GLR=Fuse and Holder WL=Wet Location Under Covered Ceiling				9306=Allen-Head Wrench VRSD=T20 Center Pin Tamperproof TORX® - head screwdriver	
1=1' Length (1' x 1' only) 2=2' Length 4=4' Length				<b>Environmental Side</b> 84=0.125 Clear Polycarbonate 85=0.187 Clear Polycarbonate 86=0.250 Clear Polycarbonate 87=0.375 Clear Polycarbonate 88=0.500 Clear Polycarbonate 94=0.187 Clear Tempered Glass 96=0.250 Clear Tempered Glass 97=0.375 Clear Tempered Glass				<b>Stainless Steel Fixture</b> SSN=Natural Brushed Finish SSP=Polyester Powder Coat Finish					
<b>LD4=LED</b> 1=(1) LED Module 2=(2) LED Modules 3=(3) LED Modules (24" width only) 4=(4) LED Modules (24" width only)				<b>Electronic Driver</b> EDC_=Electronic Driver, Non-dimming EDD_=Electronic Driver, 0-10V Dimming, 10% ED1D_=Electronic Driver, 0-10V Dimming, 1%				<b>Fasteners</b> SF3=Allen-Head (center pin reject)					
STD=Standard LO=Low HI=High													
30=3000K 35=3500K 40=4000K 50=5000K													

NOTES:

- See Lens Guide for additional lens choices.
- Not available 1' x 1' or 1' x 2'.
- Not available in "HI" illumination level. EL10W available all configurations "STD" or "LO". Emergency available "HI" all configurations except 2' x 2' and 2' x 4', 4-module LED cross section.
- LLNL not available in 1' x 1', 2-module LED cross section or 1' x 2', 2-module LED cross section.
- Nominal 600 delivered lumens.

NOMINAL INPUT WATTS/DELIVERED LUMENS (80/86 SHIELDING)

Fixture Size	# Modules	Level	(80/86 shielding)		Fixture Size	# Modules	Level	(80/86 shielding)	
			Nominal Input Watts	Nominal Delivered Lumens				Nominal Input Watts	Nominal Delivered Lumens
1' x 1'	1	STD	9.1	621	1' x 4'	1	LO	26.2	1790
	2	STD	18.3	1225		1	STD	36.6	2480
1' x 2'	1	LO	13.1	906		1	HI	47.2	3160
	1	STD	18.3	1681		2	LO	47.9	4444
	1	HI	23.6	1585		2	STD	68.1	5906
	2	LO	26.2	1789		2	HI	90.1	7153
	2	STD	36.6	2477	2	LO	52.4	3605	
	2	HI	47.2	3185	2	STD	73.2	4985	
2' x 2'	2	LO	26.2	1789	2' x 4'	2	HI	90.0	6370
	2	STD	36.6	2477		3	LO	78.6	7526
	2	HI	47.2	3185		3	STD	109.8	10002
	3	LO	39.3	2880		3	HI	137.2	12114
	3	STD	54.9	3827		4	LO	104.8	9511
	3	HI	70.8	4635		4	STD	146.4	12639
	4	LO	52.4	3851		4	HI	180.0	15308
	4	STD	73.2	5117					
	4	HI	94.4	6198					

Nominal input wattage values include LED voltage, drive current, and typical driver efficiency. Refer to LM79 data/photometric files for exact delivered lumen values and input wattage. Values in table are nominal values only.

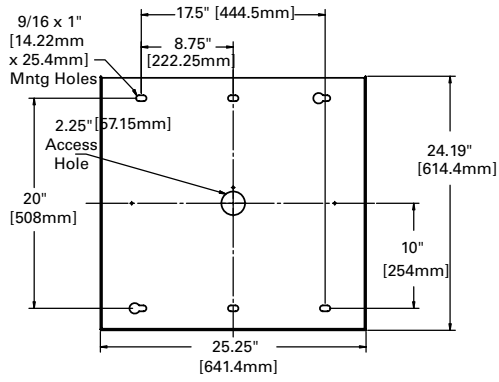


Eaton  
 1121 Highway 74 South  
 Peachtree City, GA 30269  
 P: 770-486-4800  
 www.eaton.com/lighting

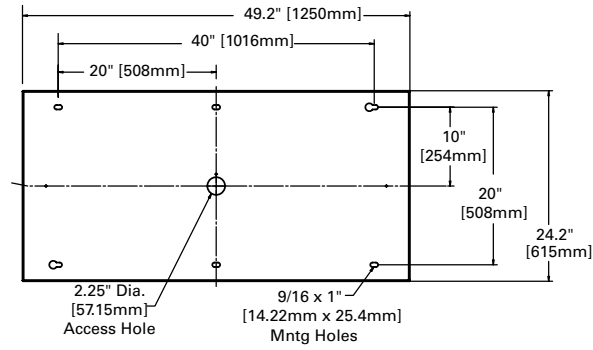
Specifications and dimensions subject to change without notice.

**MOUNTING DIMENSIONS**

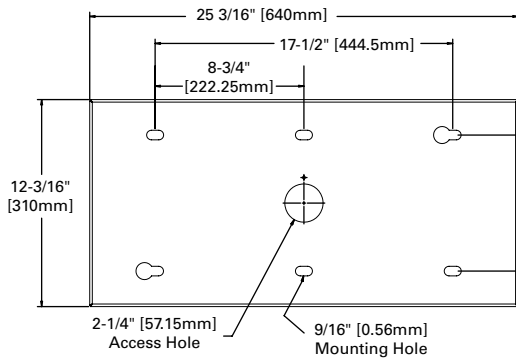
**2 x 2**



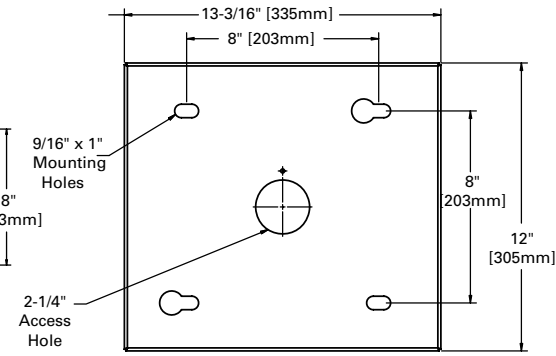
**2 x 4**



**1 x 2**



**1 x 1**



**1 x 4**

